

SPA-160 Ice Dispenser



NEW



S-Model Series 422 Ice Cube Machine SPA-160
Ice Dispenser

- Designed for ice bucket filling in hotels, motels, and resorts
- 120 lbs. (54.40 kgs.) ice storage capacity. Accepts 22" (55.88 cm) wide Manitowoc ice machine
- Only 22" (55.90 cm) wide, 31" (78.70 cm) deep, and 75.5" high (191.77 cm)
- Patented rocking chute dispense mechanism reduces in-flight ice and ice spillage with quick on/off activation
- Efficient built-in agitator assures 100% dispensing. Polyethylene bin liner and polyurethane insulation store ice longer
- Ice only dispense, with coin-op and room card dispensing control options
- Warranty
 - 5-year parts and 5-year labor coverage on ice machine evaporator
 - 5-year parts and 3-year labor coverage on ice machine compressor
 - 3-year parts-and-labor coverage on all other ice machine and dispenser components



ISO 9001:2000
Quality System Certified

America's #1 Selling Ice Machine

Ice Cube & Flake Machines • Ice Storage Bins • Ice Dispensers

Manitowoc
Foodservice Group

Manitowoc SPA-160 Ice Dispenser

SERIES 322 (115V)

24-HOUR PRODUCTION †					lbs. kgs.			
AIR-COOLED UNIT				WATER-COOLED UNIT				
air temp	water temp			air temp	water temp			
°F	50°	70°	90°	°F	50°	70°	90°	
°C	10°	21°	32°	°C	10°	21°	32°	
70°	340	320	300	70°	330	310	280	
21°	154	145	136	21°	150	141	127	
80°	320	290	270	80°	320	300	280	
27°	145	132	122	27°	145	136	127	
90°	280	250	240	90°	310	290	270	
32°	127	113	108	32°	141	132	122	

†Production for dice and half dice cubes. Data is published for 60 Hz machines. 50 Hz machines produce approximately 7% less ice.

SERIES 422 (115V)

24-HOUR PRODUCTION †					lbs. kgs.			
AIR-COOLED UNIT				WATER-COOLED UNIT				
air temp	water temp			air temp	water temp			
°F	50°	70°	90°	°F	50°	70°	90°	
°C	10°	21°	32°	°C	10°	21°	32°	
70°	450	420	390	70°	470	440	400	
21°	204	191	177	21°	213	200	181	
80°	430	400	370	80°	460	430	390	
27°	195	181	168	27°	209	195	177	
90°	410	380	350	90°	450	420	380	
32°	186	173	159	32°	204	191	172	

†Production for dice and half dice cubes. Data is published for 60 Hz machines. 50 Hz machines produce approximately 7% less ice.

AuCS® SO Accessory

Automatic Cleaning System purchased as an option and installed in the field.



Certified In Accordance With ARI Ice Storage Bins Certification Program, which is based on ARI Standard 820

Note: Dispenser will accept single 22" wide ice machine. Ice machine ordered separately. Choose Dice or Half Dice cube size. Refer to ice machine specification sheet for electrical and complete ARI standard ratings.

Dispenser Electric: 115/60/1. (208-230/60/1 and 230/50/1 also available.)

Maximum Circuit Fuse Size: 15.0 amps. HACR-type circuit breakers can be used in place of fuses.

Dispenser Electrical Connection: 6' power cord, rated 125 VAC, 16-3 conductors with standard 3-prong, straight-blade, ground-type plug (NEMA configuration 5-15P).

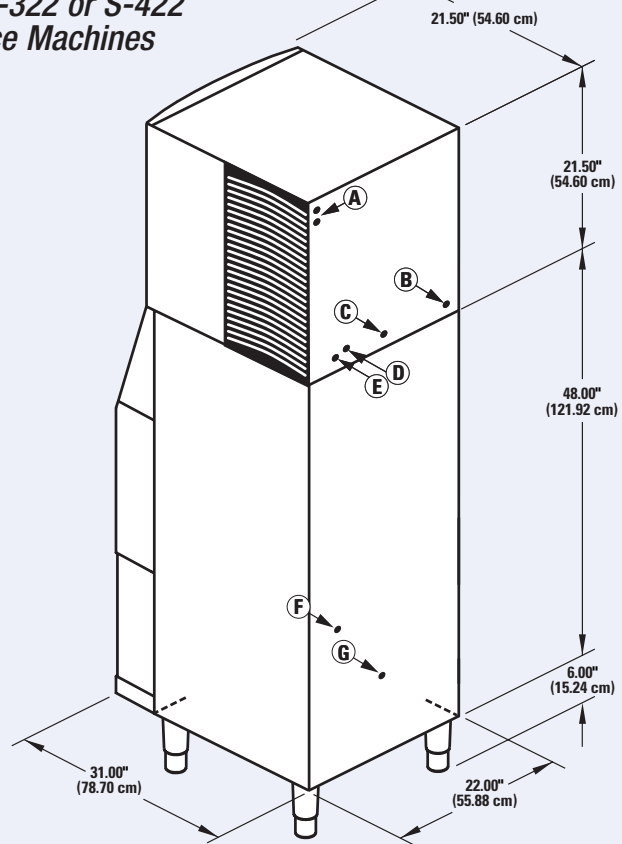
Motor: 1.6 amps maximum. Permanently lubricated.

Service Access: Dispenser door removes easily to access components.

Models: SPA-160 push for ice rocking chute, SCA-163 coin-op and SRA-164 room card control available. To field-convert SPA-160 to SRA-164, call factory for information. SFA-191 has a water valve option.



SPA-160 Ice Dispenser S-322 or S-422 Ice Machines



- (A) Electrical Entrance (2) Options
- (B) 3/8" (0.95 cm) F.P.T. Water Condenser Inlet (water-cooled units)
- (C) 1/2" (1.27 cm) F.P.T. Water Condenser Outlet (water-cooled units)
- (D) 3/8" (0.95 cm) F.P.T. Ice Making Water Inlet
- (E) 1/2" (1.27 cm) F.P.T. Ice Making Water Drain
- (F) Dispenser Electrical Entrance
- (G) 1/2" (1.27 cm) F.P.T. Melting Tray Pan Drain

Installation Note - Dispensers have no minimum clearance, when installing an ice machine/dispenser combination follow the clearance requirements for the ice machine being installed.

Options



Room Card
SRA-164



Coin-Op SCA-163

25-cent coin standard.

2 Cube Sizes Available



Half Dice
 $\frac{3}{8}$ " x $1\frac{1}{8}$ " x $\frac{7}{8}$ "
 (.95 x 2.86 x 2.22 cm)



Dice
 $\frac{7}{8}$ " x $\frac{7}{8}$ " x $\frac{7}{8}$ "
 (2.22 x 2.22 x 2.22 cm)



MANITOWOC ICE, INC.
 2110 South 26th Street, P.O. Box 1720
 Manitowoc, WI 54221-1720, USA
 Ph: 920-682-0161 • Fax: 920-683-7589
 Visit us online at www.manitowocice.com

