



Reversible door swing on all models

BSD SERIES

Bottom Mounted Solid Door Reach-Ins

REFRIGERATORS

- BSD-24SR
- BSD-52DR
- BSD-80TR

FREEZERS

- BSD-24SF
- BSD-52DF
- BSD-80TF

BSD-52DR/-52DF

FEATURES

STANDARD ELECTRONIC CONTROL

- Digitally displays inside temperature
- Tamper proof control
- Allows user to monitor and adjust temperature set point within normal temperature range
- Visual alarm
- Decreases service time and calls
- Eliminates room thermostat, defrost termination/fan delay control, defrost timer and separate digital thermometer or other temperature indicator

CONSTRUCTION

- Stainless steel exterior on front, sides and doors
- Exterior top, bottom and back are galvanized steel
- Interior liner and door panel are stainless steel
- 2" thick walls are foamed-in-place with polyurethane insulation

- 4" diameter casters (Four casters on one- and two-door models and six on three-door models)
- Three adjustable heavy-duty epoxy-coated shelves per door

DOORS

- Self-closing
- Hold open feature
- Heavy-duty pivot hinges
- Centered key locks
- Horizontal work flow pull handles
- Self-adjusting magnetic gaskets
- Interior incandescent light activated by switch for each door
- Full perimeter, anti-condensate heater wires on freezers
- Standard door swing configuration:
 - BSD-24SF/-24SR hinged right
 - BSD-52DF/-52DR left door hinged left, right door hinged right
 - BSD-80TF/-80TR left door hinged left, middle door hinged left, right door hinged right
- Door width: 27"

REFRIGERATION

- Self-contained bottom mount refrigeration system
- Automatic defrost
- Refrigerant:
 - Refrigerators.....R-134a
 - FreezersR-404A
- Operating temperature:
 - Refrigerators.....38°F (3°C)
 - Freezers0°F (-18°C)

WARRANTY

- Standard limited four year extended compressor and one year limited parts and labor

OPTIONS

- Extra shelves
- Pan rack

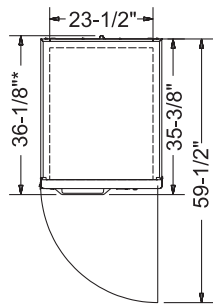


BSD SERIES BOTTOM MOUNTED SOLID DOOR REACH-INS

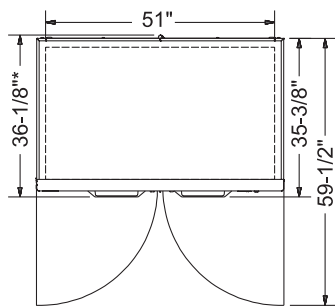
TECHNICAL SPECIFICATIONS

MODEL	DIMENSIONS (in.)			DIMENSIONS (mm)			VOLTS	AMPS	UNIT H.P.	NO. OF DOORS	NO. OF SHELVES	STANDARD SHELF SIZE (in inches)	CAP. CU. FT.	SHIP CU. FT.	SHIP WT. (LB/KG)
	L	D	H*	L	D	H*									
REFRIGERATORS															
BSD-24SR	27 ⁹ / ₁₆	36 ¹ / ₈	82 ¹ / ₂	700	918	2096	115	4.4	1/5	1	3	28 x 22	24.0	64.0	365/166
BSD-52DR	55 ¹ / ₁₆	36 ¹ / ₈	82 ¹ / ₂	1399	918	2096	115	6.3	1/4	2	6	28 x 24 ¹ / ₂	52.0	115.3	545/248
BSD-80TR	82 ⁹ / ₁₆	36 ¹ / ₈	82 ¹ / ₂	2097	918	2096	115	6.4	1/4	3	9	***	80.0	167.5	750/341
FREEZERS															
BSD-24SF	27 ⁹ / ₁₆	36 ¹ / ₈	82 ¹ / ₂	700	918	2096	115	9.8	1/2	1	3	28 x 22	24.0	64.0	375/170
BSD-52DF	55 ¹ / ₁₆	36 ¹ / ₈	82 ¹ / ₂	1399	918	2096	115	13.9	3/4	2	6	28 x 24 ¹ / ₂	52.0	115.3	660/300
BSD-80TF	82 ⁹ / ₁₆	36 ¹ / ₈	82 ¹ / ₂	2097	918	2096	208-230**	8.7	1	3	9	***	80.0	167.5	805/366

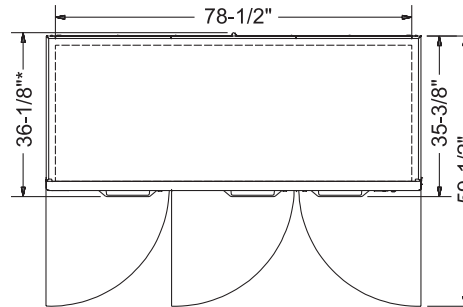
*Height includes casters. **208-230/60/1 also requires neutral and safety ground wire. ***LH & RH shelf for 3 door models is 28" x 24¹/₂", center shelf is 28" x 27¹/₂".



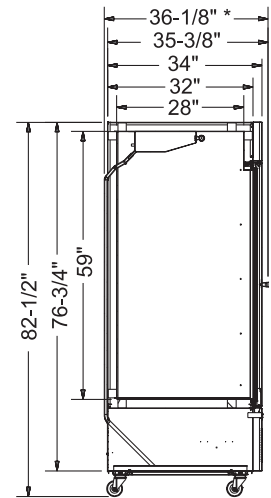
**BSD-24SR/SF
PLAN VIEW**



**BSD-52DR/DF
PLAN VIEW**



**BSD-80TR/TF
PLAN VIEW**



SIDE VIEW

*OVERALL DEPTH INCLUDING DOOR HANDLE & DRAINLINE

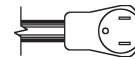
LISTINGS



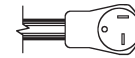
HOOKUP

All models except BSD-80TF: Via plug in, 10 foot long flexible three wire 14/3 cord with molded plug.

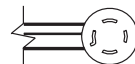
BSD-80TF: Via plug in, 10 foot long flexible four wire 208-230v 12/4 cord with neutral and ground wires and molded plug.



NEMA 5-15P (All refrigerator models and BSD-24SF)



NEMA 5-20P (BSD-52SF)



NEMA L14-20P (BSD-80TF)

BID SPECIFICATIONS

Item no. BSD-_____
Provide _____ () Bottom Mounted Solid Door Reach-in(s), Master-Bilt model no. BSD-_____.

Reach-in will be equipped with an electronically controlled monitoring system and will feature stainless steel exterior on

front, sides and doors with galvanized steel on exterior top, bottom and back. Door swing will be reversible.

The refrigeration system will be bottom mounted and self-contained. Freezers will use R-404A refrigerant, refrigerators will use R-134a. The operating temperature will be 0°F for freez-

ers and 38°F (3°C) for refrigerators (-18°C).

Reach-in to have standard limited 4 year extended compressor warranty and one year limited parts and labor warranty. Reach-in to be UL and C-UL listed, UL EPH classified & Energy Star and California Energy Code certified.

NOTE: Cabinet designed for optimum performance in air-conditioned area at 75°F ambient and 55% relative humidity. All specifications subject to change without notice.



908 Highway 15 North • New Albany, MS 38652
PHONE: 800-647-1284 or 662-534-9061 • FAX: 800-232-3966 or 662-534-6049 • www.master-bilt.com

