

## • Meat Grinder •

### \* Gear Driven Screw Motor

German Knife's heavy duty meat grinder provides years of maintenance free operation. Powerful 1.5HP motor with gear drive can be fed at a rapid pace with continuous chopping action with no crushing or mashing of the meat.

### \* Stainless Steel Polished Food Contact Zone

The bowl assembly and feed tray food contact surfaces are Stainless Steel.

### \* Removable Bowl Assembly and Feed Tray

The bowl assembly and feed tray which contact the product are easily removed and cleaned without the use of tools.

### \* Ergonomic Style Hand Wheel Ring

Comfortable and stable ergonomic hand wheel ring on the bowl assembly.

### \* Safety

The bowl assembly used a safety opening eliminating the possibility of injury to the operator.

### \* Sealed Gear Box

The gear box uses a sealed oil bath system to lubricate the gears and minimized water damage.



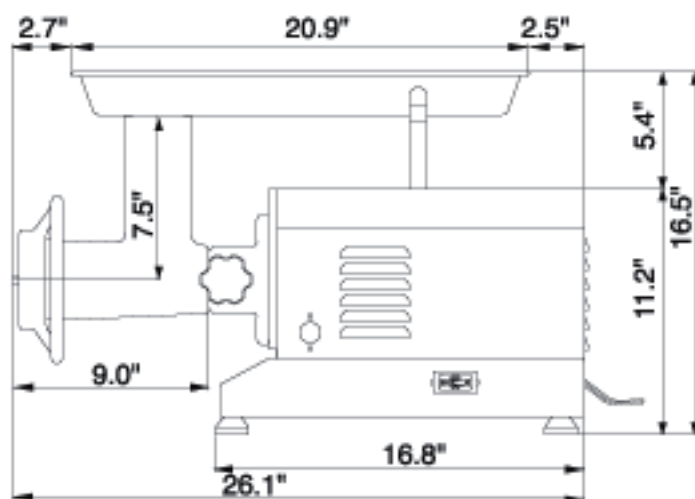
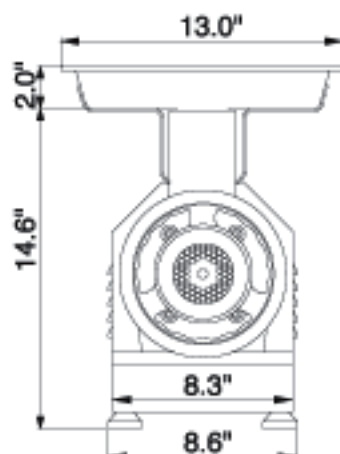
GG-22



## SPECIFICATIONS

MODEL		GS-22A
DIMENSION	Foot Print	16.8"x8.6"
	Overall Length	26.1"
	Overall Width	13.0"
	Overall Height W/Feet	16.5"
Motor		1.5HP, 1ph, AC115V, 60Hz
Capacity		660 lbs/h
Diameter of knife		3"
Net Weight		101lbs

\*Design and specifications can be changed without prior notice for product improvement.



GG-22 VIEW