



IG-408

Standard features include baskets, basket dividers, thermometer and lock.



IG SERIES

Standard Display Freezers

MODELS

- IG 208
- IG 308
- IG 408
- IG 508
- IG 608

FEATURES

CONSTRUCTION

- Pre-painted steel exterior
- Stucco aluminum interior
- Heavy-duty 2¹/₂" casters
- Defrost water drain
- High product loading line
- Aluminum extrusion top frame
- Lids contain safety glass
- Low energy consumption
- Durable, unobtrusive glass lid frame allows high visibility of products
- 2³/₈" insulation in sides and bottom

REFRIGERATION

- Refrigerant: R-134a
- Temperature range: 12° to -8°F (-11° to -22°C)
- R-factor (insulation efficiency rating): 17.24

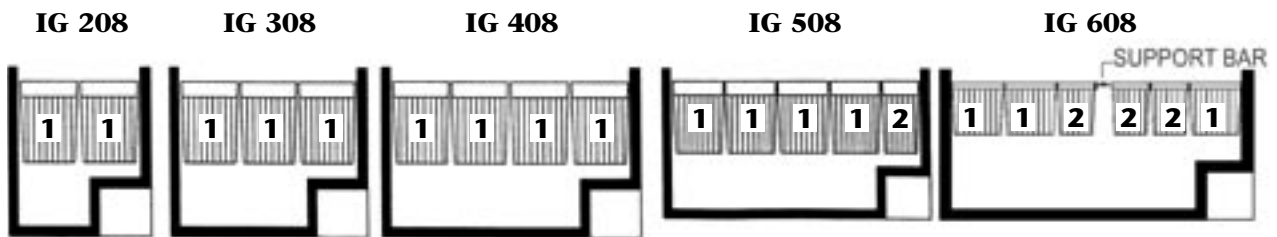
WARRANTY

- Standard limited four year extended compressor and one year limited parts and labor

OPTIONS

- Sliding solid insulated lids
- Additional baskets and dividers
- Lighted canopies
- Sneeze guards

STANDARD BASKET CONFIGURATIONS



1 = Basket with dimensions of 11¹/₄"W x 21³/₄"D x 13¹/₈"H (includes one vertical divider and one horizontal divider)
2 = Basket with dimensions of 8¹/₄"W x 21³/₄"D x 13¹/₈"H (includes two horizontal dividers)

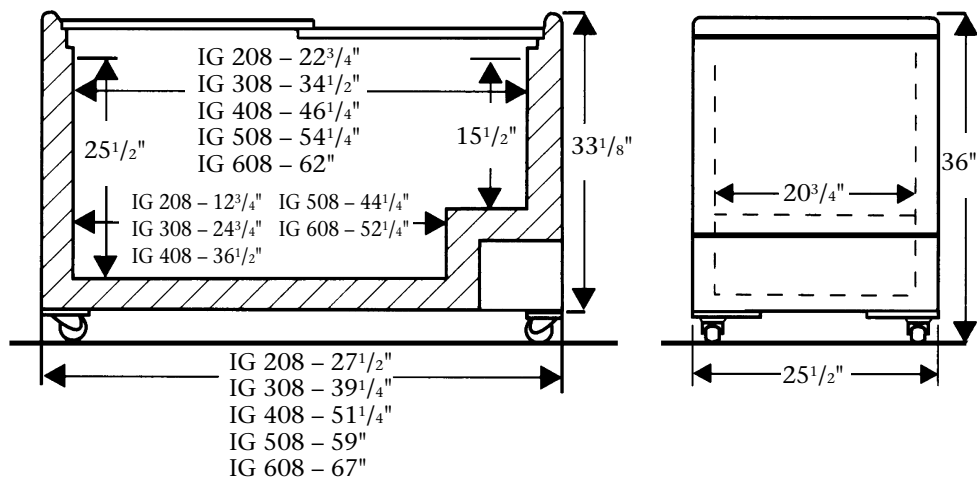


COLDIN™ IG SERIES STANDARD DISPLAY FREEZERS

TECHNICAL SPECIFICATIONS

MODEL	DIMENSIONS (in.)			DIMENSIONS (mm)			VOLTS	AMPS	UNIT H.P.	CAPACITY CU. FT.	SHIP CU. FT.	SHIP WT. LB/KG
	L	D	H	L	D	H						
IG 208	27 ¹ / ₂	25 ¹ / ₂	36	700	650	914	115	3.8	1/4	5.2	16.0	120/55
IG 308	39 ¹ / ₄	25 ¹ / ₂	36	1000	650	914	115	3.7	1/4	8.6	22.0	145/66
IG 408	51 ¹ / ₄	25 ¹ / ₂	36	1300	650	914	115	3.5	1/4	11.9	29.0	165/75
IG 508	59	25 ¹ / ₂	36	1500	650	914	115	3.7	1/4	14.4	33.0	185/84
IG 608	67	25 ¹ / ₂	36	1700	650	914	115	4.8	1/2	16.4	37.0	210/95

HIGH AMBIENT SPECIFICATIONS AVAILABLE ON REQUEST.



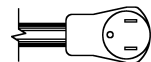
LISTINGS



ANSI/NSF 7

HOOKUP

Via plug in, 6¹/₂ foot long, flexible 3 wire 18/3 cord with molded plug.



NEMA 5-15P

BID SPECIFICATIONS

Item no. IG- _____
 Provide _____ () Standard
 Display Freezer(s) Master-Bilt model IG- _____.

Freezer to be constructed of a pre-painted steel exterior with stucco aluminum interior. Sides and bottom of freezer will contain 2³/₈" insulation. Freezer

to be furnished standard with baskets, basket dividers, thermometer and lock. Additionally, it will be provided with heavy-duty 2¹/₂" casters, an aluminum extrusion top frame and a defrost water drain. Lids will contain safety glass.

Refrigeration system will use R-134a refrigerant. The temperature range will be

12° to -8°F (-11° to -22°C).

Freezer to have standard limited four year extended compressor warranty and one year limited parts and labor. Freezer to be UL and C-UL listed as well as UL-EPH classified.

NOTE: Cabinet designed for optimum performance in air-conditioned area at 75°F ambient and 55% relative humidity. All specifications subject to change without notice.



908 Highway 15 North • New Albany, MS 38652
 PHONE: 800-647-1284 or 662-534-9061 • FAX: 800-232-3966 or 662-534-6049 • www.master-bilt.com

