

NOR-LAKE SCIENTIFIC
 Division of Nor-Lake Incorporated
 727 Second Street
 P.O. Box 248
 Hudson, Wisconsin 54016

800-477-5253
 715-386-2323
 800-388-5253 Parts
 715-386-4290 FAX
 www.norlake.com



UNDERCOUNTER REFRIGERATORS

4°C Auto and Manual Defrost
 For General Laboratory / Pharmacy Storage



Designed to meet the demanding requirements of scientific and laboratory applications. Special cabinet incorporates industrial quality with a heavy duty refrigeration system to maintain your valuable products.

SPECIFICATIONS FOR: NSLR051WMW/0 & NSLR051WMW/0M

- **Exterior finish:** The exterior front, door, top and sides are white painted enamel. The back and bottom are galvanized steel.
- **Interior finish:** Interior liner and interior door panel are aluminum.
- **Insulation:** The complete cabinet and door are foamed-in-place with high density polyurethane foam insulation.
- **Hardware:** Pull door handle, door lock, one adjustable gray epoxy coated shelf & four 4" legs.
- **Electrical:** 115/60/1 cord and plug furnished.
- **Refrigeration:** Base mount refrigeration system. Undercounter/countertop refrigerators may be built in on three sides. The air intake and exhaust is through the base in front of the unit. Refrigerators are available with a forced air evaporator (NSLR051WMW/0) or a wrap around cold wall evaporator (NSLR051WMW/0M). Adjustable control range from +2°C to +8°C. Factory preset at +4°C.
- **Approvals:** UL and C-UL listed.**

STANDARD FEATURES

- Air-cooled condensing unit
- Aluminum interior
- **Automatic defrost on forced air model- NSLR051WMW/0**
- **Manual defrost on cold wall model - NSLR051WMW/0M**
- 4" legs
- Door lock
- Expansion valve system on forced air model
- Galvanized back & bottom
- Gray epoxy coated shelf
- High density polyurethane foam insulation
- Magnetic gasketing
- Non-CFC refrigerant
- Adjustable control range from +2°C to +8°C. Factory preset at +4°C
- White enamel front, door, top & sides
- UL & C-UL LISTED**
- Warranties: 18 month parts and labor. 5 years compressor (US and Canada) 18 months parts (International)

OPTIONAL FEATURES

- Casters in lieu of legs
- 2" levelers in lieu of legs
- Hi/Lo alarm with remote contacts (mounted separate)
- Stainless steel exterior (Galv. back)
- Stainless steel interior
- Temperature Chart Recorder
- Chart Paper
- Digital Thermometer with Hi/Lo Alarm (Field Install)

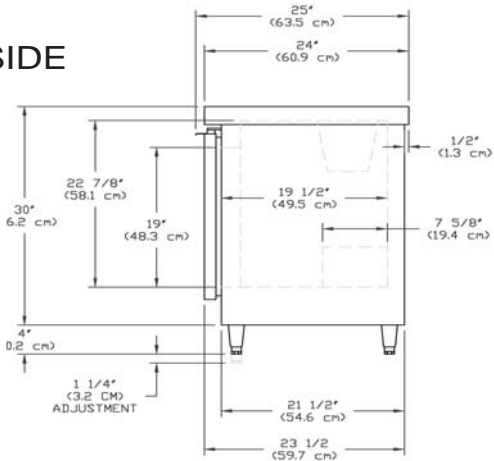


Nor-Lake, Inc.
 Registered to ISO 9001:2000
 File No. A3204

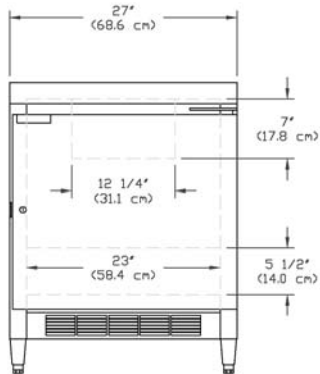
** C-UL is Underwriters Laboratories Safety Certification Mark which indicates that UL has tested the equipment to applicable CSA Standards.

UNDERCOUNTER REFRIGERATORS

SIDE

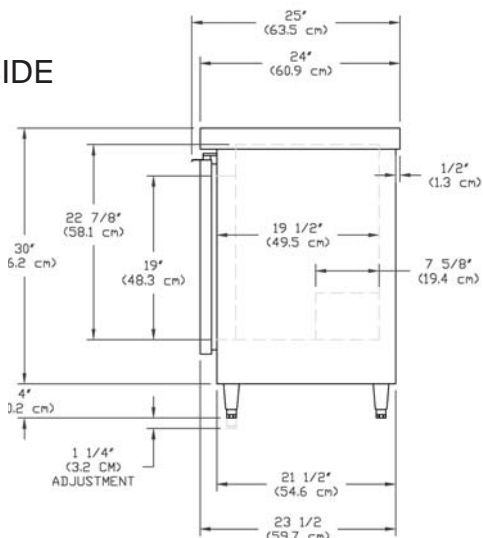


FRONT

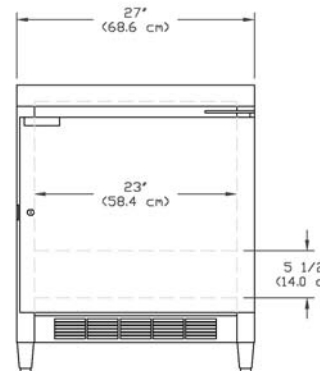


NSLR051WMW/0 - AIR FORCED MODEL

SIDE



FRONT



NSLR051WMW/0M - COLD WALL MODEL

SPECIFICATIONS

Model	NSLR051WMW/0	NSLR051WMW/0M
	Forced Air	Cold Wall
Crated Height	35" (88.9 cm)	35" (88.9 cm)
Crated Width	31-1/2" (80 cm)	31-1/2" (80 cm)
Crated Depth	28" (71.1 cm)	28" (71.1 cm)
Crated Weight (lbs) (kg)	175 (79.38 kg)	175 (79.38 kg)
Interior Height	22-7/8" (58.1 cm)	22-7/8" (58.1 cm)
Interior Width	23" (58.4 cm)	23" (58.4 cm)
Interior Depth	19-1/2" (49.5 cm)	19-1/2" (49.5 cm)
Overall Height-Adjustable*	34" to 35-1/4" (86.4 to 89.5 cm)	34" to 35-1/4" (86.4 to 89.5 cm)
Overall Width	27" (68.6 cm)	27" (68.6 cm)
Overall Depth	25" (63.5 cm)	25" (63.5 cm)
Gross Cubage (ft. ³) (m ³)	5.1 (0.15)	5.4 (0.15)
Shelf Area (sq. ft.) (m ²)	2.6 (0.25)	2.6 (0.25)
Number of Shelves	1	1
Number of Casters (opt.)	4	4
Number of Legs (std.)	4	4
Condensing Unit Size	1/5	1/8
Refrigerant	R-134A	R-134A
Electrical Characteristics	115/60/1	115/60/1
Cord & Plug Furnished	Yes	Yes
Maximum Fuse Size	15	15
NEMA Plug	5-15P	5-15P
Total Amp Draw	4.3	3.5

Specifications subject to change without notice.

* The overall heights shown in the table and drawings are with 4" adjustable legs. With the 3-5/8" casters the overall height is 33-5/8". With 2" levelers the overall height is adjustable from 32" to 32-1/2".

NORLAKE SCIENTIFIC

Revision Date: 11/05
 © 2005 NOR-LAKE, INC.
 Printed in the U.S.A.
 Part Number: 101388

