

**AIR-COOLED
REMOTE**

QuietQube® Series 1400C Remote Ice Cube Machine



Air-cooled Ice Cube Machine with Patented CVD Technology®



Series 1400C Ice Cube Machine - 115V



CVD Condensing Unit - 208V



- QuietQube® Series Remote System consists of a remote condensing unit, interconnecting refrigerant lines, ice machine head section, ice deflector and ice storage unit whether storage bin, countertop or floor-standing dispenser. All ordered separately. QuietQube ice machine with CVD condensing unit is designed as a Manitowoc system and not for use with any other ice machine or remote condenser brand
- Up to 1,375* lbs. (625 kgs.) daily ice production
**Production rating outside the scope of ARI Standard 810.*
- Only 30" (76.2 cm) wide, 24" (60.9 cm) high
- Quiet operation eliminates most noise from the refrigeration system. Promotes relaxing atmosphere
- Patented CVD technology improves reliability and extends life of the compressor
- Ice machine is lighter in weight and 115 volt simplifies installation and reduces electrical installation cost
- Utility connections out the back or top of the unit maximize floor space and provide additional installation options
- Stainless steel exterior with the fit and finish of an appliance, enhances the display in any self-serve environment
- Patented cleaning and sanitizing technology
- Standard installation criteria facilitates easy replacement of existing remote condenser unit
- Warranty
5-year parts and 5-year labor coverage on ice machine evaporator
5-year parts and 3-year labor coverage on ice machine compressor
3-year parts-and-labor coverage on all other ice machine, dispenser, and storage bin components



ISO 9001:2000
Quality System Certified

America's #1 Selling Ice Machine

Ice Cube & Flake Machines • Ice Storage Bins • Ice Dispensers




Manitowoc QuietQube® 1400C Remote Series

REMOTE AIR-COOLED ICE MACHINE

Model	Cube size	Ice production 24 hours		Power*	
		lbs.	kgs.	kWh/100 lbs.	
QD-1472C	dice	1,200	545	6.6 1ph	6.4 3ph
QY-1474C	half-dice	1,200	545	6.6 1ph	6.4 3ph

Water usage/100 lbs./45.4 kgs. of ice • Potable Water: 21.6 gallons, 81.75 liters

Ice machine for use with ice storage bin or ice dispenser and CVD condensing unit all ordered separately.
 *kWh per 100 lbs. is total power of ice machine and condensing unit. Ice machine is 1 ph only.
 Condensing unit is 1 ph or 3 ph.

 Certified in Accordance with ARI Automatic Commercial Ice-Cube Machines (Batch-Type) Certification Program, which is based on ARI Standard 810

Ice Machine Electric

115/60/1 standard. (230/50/1 also available, consult factory.)

Total Amps: 1.1

Max. fuse size: 15 amps

HACR-type circuit breakers can be used in place of fuses.

Specifications

Operating Limits:

- Ambient Temperature Range: 40° to 110°F (4.4° to 43.3°C)
- Water Temperature Range: 40° to 90°F (4.4° to 32.2°C)
- Water Pressure Ice Maker Water In: Min. 20 psi (137.9 kPa) Max. 80 psi (551.1 kPa)



24-HOUR PRODUCTION †		lbs. kgs.	
REMOTE AIR-COOLED UNIT			
air temp	water temp		
°F	50°	70°	90°
°C	10°	21°	32°
-20° to 70°	1,375	1,225	1,085
-29° to 21°	625	557	493
90°	1,350	1,200	1,060
32°	614	545	482
100°	1,260	1,110	980
38°	573	505	445

†Production for Dice and Half Dice cubes.

AuCS®-A Accessory



AuCS® Automatic Cleaning System

2 Cube Sizes Available

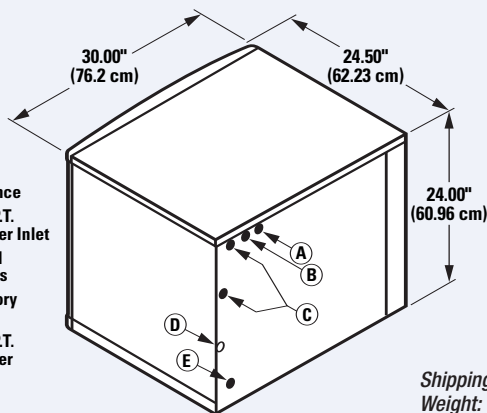


Half Dice
 3/8" x 1 1/8" x 7/8"
 (.95 x 2.86 x 2.22 cm)



Dice
 7/8" x 7/8" x 7/8"
 (2.22 x 2.22 x 2.22 cm)

1400C Ice Machine



Shipping Weight: 172 lbs. 78 kgs.

CVD 1475 REMOTE CONDENSING UNIT

Installation Information and Dimensions:

Maximum Line Length—100' (30.5 m).*

Maximum Vertical Rise*—35' (10.7 m) above ice machine.

Maximum Vertical Drop—15' (4.5 m) below ice machine.

*A rise over 20' (6 m) requires S-Trap Kit K-00166 - ordered separately.



Condensing Unit Electric

208-230/60/1 standard.

208-230/60/3 and 230/50/1 also available. 50 Hz version of this model meets the international standard, IEC335-1, requirements for "tropical rating," the most severe duty rating an ice machine can obtain, (consult factory). HACR-type circuit breakers can be used in place of fuses. **Note:** QuietQube ice machine is wired independent of CVD condensing unit.

Min. circuit ampacity: 19.6 1ph
 14.1 3ph

Max. fuse size: 35 amps 1ph
 25 amps 3ph

HACR-type circuit breakers can be used in place of fuses.

BTU Per Hour:

24,000 (average) 35,000 (peak)

Compressor:

Nominal rating: 3 HP

Operating Limits:

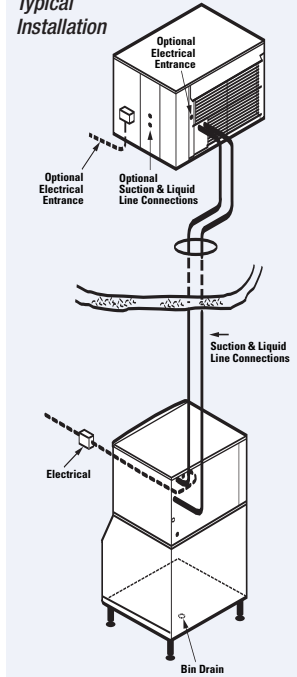
- Ambient Temperature Range: -20° to 130°F (-29° to 54°C)

Standard Interconnecting Tubing

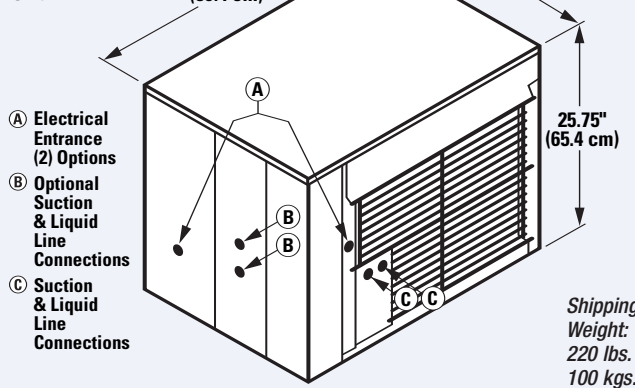
Model	Line Length		Weight	
	ft.	m.	lbs.	kgs.
RC-20	20	6	12	5
RC-30	30	9	20	9
RC-50	50	15	28	13



Typical Installation



CVD-1475 Condensing Unit



Shipping Weight: 220 lbs. 100 kgs.

©2005 Manitowoc 23744 - 305 Continuing product improvement may necessitate change of specifications without notice.



MANITOWOC ICE, INC.
 2110 South 26th Street, P.O. Box 1720
 Manitowoc, WI 54221-1720, USA
 Ph: 920-682-0161 • Fax: 920-683-7589
 Visit us online at www.manitowocice.com

