

Q-Model Series 1800 Ice Cube Machine



- Up to 1,880* lbs. (846 kgs.) daily ice production
- Stackable, double daily ice production, 3,760* lbs. (1,692 kgs.)
*Production rating outside the scope of ARI Standard 810.
- Stainless steel exterior with the fit and finish of an appliance
- Rugged, corrosion-free base
- Patented cleaning and sanitizing technology
- New batch water system delivers better ice cube formation
- R-404A CFC-free refrigerant
- Warranty
 - 5-year parts and 5-year labor coverage on ice machine evaporator
 - 5-year parts and 3-year labor coverage on ice machine compressor
 - 3 year parts-and-labor coverage on all other ice machine, dispenser, and storage bin components

Q-Model Series 1800
Ice Machine on S-970 Bin



ISO 9001
Quality
System
Certified

THE RIGHT CLIMATE FOR LEADERSHIP

**Manitowoc**[®]

ICE CUBE MACHINES • ICE STORAGE BINS

Manitowoc Q-Model 1800 Series

A seamless blend of thoughtful design, new technology and rugged construction.

Model	Cube size	Ice production 24 hours		Power	
		lbs.	kgs.	kWh/100 lbs.	
QR-1800A	regular	1,460	657	6.7 1 ^{ph}	6.4 3 ^{ph}
QR-1801W	regular	1,550	698	5.6 1 ^{ph}	5.2 3 ^{ph}
QD-1802A	dice	1,570	707	6.2 1 ^{ph}	5.9 3 ^{ph}
QD-1803W	dice	1,670	752	5.2 1 ^{ph}	4.8 3 ^{ph}
QY-1804A	half-dice	1,570	707	6.2 1 ^{ph}	5.9 3 ^{ph}
QY-1805W	half-dice	1,670	752	5.2 1 ^{ph}	4.8 3 ^{ph}
REMOTE AIR-COOLED WITH JC-1895A CONDENSER					
QR-1890N	regular	1,470	662	6.3 1 ^{ph}	5.8 3 ^{ph}
QD-1892N	dice	1,580	711	5.8 1 ^{ph}	5.3 3 ^{ph}
QY-1894N	half-dice	1,580	711	5.8 1 ^{ph}	5.3 3 ^{ph}
Water usage/100 lbs./45.4 kgs. of ice					
Potable Water: 18 gallons, 68.13 liters • Water-cooled Condenser: 160 gallons, 605.60 liters					

Order ice storage bin separately. "A" or "W" following model number indicates "Air" or "Water" condensing unit. Ice storage bin and JC-1895A remote condenser must be ordered separately. Consult remote condenser specification sheet for details. To order 3 phase add "3" suffix to model # (QR-1800A3). Note: Placing Q-1800 ice machine on non-Manitowoc bin or "F" model Manitowoc bin, requires installation of ice deflector K-00139.



Certified in Accordance with ARI Automatic Commercial Ice-Cube Machines (Batch-Type) Certification Program, which is based on ARI Standard 810

Ice Machine Electric

208-230/60/1 standard. (208-230/60/3 also available. For 230/50/1 and 380/415/50/3 see 50 cycle literature.)
Min. circuit ampacity: Air-cooled — 28.1 1^{ph} 15.5 3^{ph}, Water-cooled — 26.7 1^{ph} 14.1 3^{ph}, Remote — 26.9 1^{ph} 13.9 3^{ph}
Max. fuse size: Air-cooled, Water-cooled, Remote — 40 amps 1^{ph} 20 amps 3^{ph}
 HACR-type circuit breakers can be used in place of fuses.

Specifications

BTU Per Hour:
 36,000 (average) 50,000 (peak)
Compressor:
 Nominal rating: 3.5 HP
Cupra-Nickel Condenser:
 (Water-cooled models)
 Adds protection from corrosive water elements.

Operating Limits:
 • Ambient Temperature Range:
 Air and water:
 35°-110°F (1.7°-43.3°C)
 Remote: -20°-120°F (-29°-49°C)

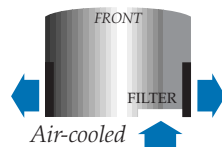
• Water Temperature Range:
 33°-90°F (0.6°-32.2°C)

• Water Pressure Ice Maker
Water In:
 Min. 20 psi (137.9 kPa)
 Max. 80 psi (551.1 kPa)

• Condenser Inlet Water In:
 (Water cooled only)
 Min. 20 psi (137.9 kPa)
 Max. 150 psi (1,034.2 kPa)



Air Flow Top View



AuCS® Accessory



AuCS®
 Automatic
 Cleaning
 System

3 Cube Sizes Available



Half Dice
 3/8" x 1 1/8" x 7/8"
 (.95 x 2.86 x 2.22 cm)



Dice
 7/8" x 7/8" x 7/8"
 (2.22 x 2.22 x 2.22 cm)



Regular
 1 1/8" x 1 1/8" x 7/8"
 (2.86 x 2.86 x 2.22 cm)

24-HOUR PRODUCTION †										lbs. kgs.	
AIR-COOLED UNIT				WATER-COOLED UNIT				REMOTE AIR-COOLED UNIT			
air temp	water temp			air temp	water temp			air temp	water temp		
	°F	50°	70°		90°	°F	50°		70°	90°	°F
°C	10°	21°	32°	°C	10°	21°	32°	°C	10°	21°	32°
70°	1,880	1,720	1,640	70°	1,840	1,690	1,520	-20° to 70°	1,770	1,650	1,540
21°	846	774	738	21°	828	761	684	-29° to 21°	797	743	693
80°	1,780	1,650	1,560	80°	1,780	1,680	1,520	90°	1,700	1,580	1,480
27°	801	743	702	27°	801	756	684	32°	765	711	666
90°	1,690	1,570	1,480	90°	1,760	1,670	1,510	100°	1,620	1,480	1,400
32°	761	707	666	32°	792	752	680	38°	729	666	630

†Production for Dice and Half Dice cubes. Regular cube is 7% less than chart and kWh/100 lbs. increases 7%.

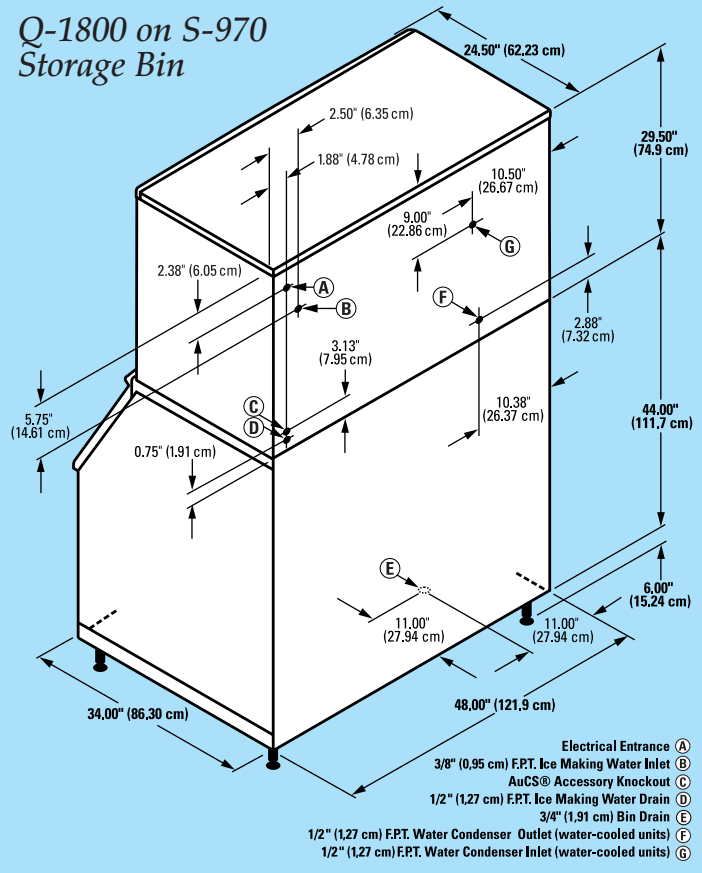
Space-Saving Designs



	Q-1800 S-970
Height	79.50"
Width	48.00"
Depth	34.00"
Bin Storage	710 lbs.

Height includes adjustable bin legs 6.00" to 7.00" (15.24 to 17.78 cm) set at 6.00" (15.24 cm). For comparison purposes multiply ARI capacity by 1.3 (30%) to arrive at approximate "Application Rating Capacity."

Q-1800 on S-970 Storage Bin



Installation Note - Minimum Installation Clearance:

Water and remote units — Top/Sides: 8" (20.32 cm), Back: 5" (12.7 cm).
 Air-cooled units — Top/Sides: 24" (60.96 cm), Back: 12" (30.48 cm).

THE RIGHT CLIMATE FOR LEADERSHIP

Consult your local Manitowoc Representative:

Manitowoc Ice, Inc.
 2110 South 26th Street, P.O. Box 1720 • Manitowoc, WI 54221-1720, USA
 Ph: 920-682-0161 • Fax: 920-683-7589 • Web Site: www.manitowocice.com

