

Q M 20



**Compact size.
Produces up to
21 kgs of ice every
24 hours with a
storage capacity of
8 kgs. Ideal for any
small-volume ice
need.**

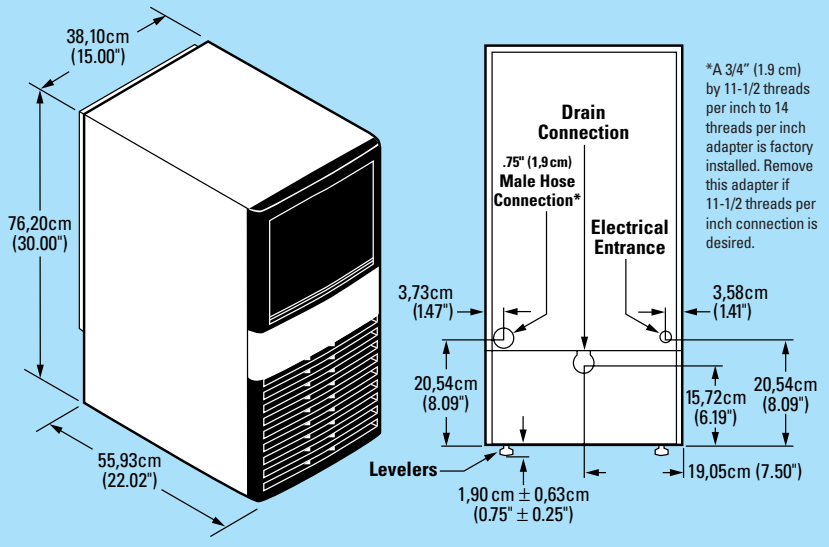
- ◆ CFC-FREE R-134A Refrigerant
- ◆ Easy Access Door, Slides Up & Out of the Way
- ◆ Attractive Stainless Steel Cabinet
- ◆ Computerized Control
- ◆ Patented Cleaning & Sanitizing Technology
- ◆ Easy Access Air Filter
- ◆ Front Air Intake & Exhaust
- ◆ Manitowoc Proven Vertical Evaporator
- ◆ Patent-Pending Worldwide
- ◆ 3 Year Parts & Labor Warranty


Manitowoc[®]
ICE MACHINES

Q M 20



**115/60/1
ELECTRICAL
NOW
AVAILABLE**



**24-HOUR
PRODUCTION**

Air Temp. °C	Water Temp.			
	10°	20°	30°	
20°C	21	19	17	kilos
25°C	20	18	16	kilos
30°C	18	17	15	kilos
35°C	16	15	13	kilos



CUBE SIZE

Dice: 19mm x 19mm x 19mm.

ELECTRICAL

230/50/1 (115/60/1 also available). Field connection terminal block provided, all voltages. Total amps: 1.5 amps at 230/50/1; 3.5 amps at 115/60/1.

**OPERATING
ENVIRONMENT**

Ambient temperature 10-40°C.
Potable water temperature 10-30°C.
Water pressure 240-620 kPA.

**INSTALLATION
CLEARANCE**

None required top and sides but allow space for water supply, drain, and electrical connection in back.

AIR FILTER



Quickly removed, slides out from right side front without tools, easy to clean, reusable filter protects condenser from lint, grease and dust.

CLEANING SYSTEM

Built-in, patented, cleaning system. The same system is used on large capacity Manitowoc models.

LEVELERS

Adjustable leveling glides provided, (102mm adjustable legs are available as an option).

CONTROL SYSTEM

Fully automatic self-adjusting microprocessor based, (patent-pending).

ICE STORAGE

One piece bin liner (seamless) "Rotocast" polyethylene.

BIN CONTROL

Automatic thermostat shut-off.

INSULATION

Foamed-in-place with CFC-FREE foam.

LISTINGS



For more information contact your Manitowoc representative or our USA headquarters.

Manitowoc® ICE MACHINES

Manitowoc Ice, Inc. ♦ Phone: 920-682-0161 ♦ Fax: 920-683-7589 ♦ www.manitowocice.com

Form 9146B Litho in USA 4/00 ©2000 MANITOWOC
Continuing product improvement may necessitate change of specifications without notice.