

SFA-291 Ice Dispenser



NEW



Water Valve

S-Series 450 Ice Machine
SFA-291 Ice Dispenser

- Patented rocking chute dispense mechanism reduces in-flight ice and ice spillage with quick on/off activation
- Built-in water valve
- 180 lbs. (82 kgs.) ice storage capacity. Accepts 22" (55.88 cm) or 30" (76.20 cm) wide Manitowoc ice machine
- Only 30" (76.20 cm) wide, 32" (81.28 cm) deep, and 82" high (208.28 cm)
- Quickly fills glasses and large containers. Accepts up to 10.5" (26.67 cm) high containers
- Oversized drain pan collects larger quantity of ice overflow
- Efficient built-in agitator assures 100% dispensing. Polyethylene bin liner and polyurethane insulation store ice longer
- Warranty
 - 5-year parts and 5-year labor coverage on ice machine evaporator
 - 5-year parts and 3-year labor coverage on ice machine compressor
 - 3-year parts-and-labor coverage on all other ice machine and dispenser components



ISO 9001:2000
Quality System Certified

America's #1 Selling Ice Machine

Ice Cube & Flake Machines • Ice Storage Bins • Ice Dispensers

Manitowoc
Foodservice Group

Manitowoc SFA-291 Ice Dispenser

SERIES 300 (115V)

24-HOUR PRODUCTION †								lbs. kgs.
AIR-COOLED UNIT				WATER-COOLED UNIT				
air temp	water temp			air temp	water temp			
°F	50°	70°	90°	°F	50°	70°	90°	
°C	10°	21°	32°	°C	10°	21°	32°	
70°	325	295	270	70°	310	285	260	
21°	147	134	122	21°	143	129	118	
80°	305	275	250	80°	305	280	255	
27°	138	125	113	27°	138	137	116	
90°	285	255	235	90°	295	270	250	
32°	129	116	107	32°	134	122	113	

†Production for Dice and Half Dice cubes. Data is published for 60 Hz machines. 50 Hz machines produce approximately 7% less ice.

SERIES 450 (115V)

24-HOUR PRODUCTION †								lbs. kgs.
AIR-COOLED UNIT				WATER-COOLED UNIT				
air temp	water temp			air temp	water temp			
°F	50°	70°	90°	°F	50°	70°	90°	
°C	10°	21°	32°	°C	10°	21°	32°	
70°	450	420	390	70°	470	440	400	
21°	204	191	177	21°	213	200	181	
80°	430	400	370	80°	460	430	390	
27°	195	181	168	27°	209	195	177	
90°	410	380	350	90°	450	420	380	
32°	186	173	159	32°	204	191	172	

†Production for Dice and Half Dice cubes. Data is published for 60 Hz machines. 50 Hz machines produce approximately 7% less ice.

SERIES 600 (208-230V)

24-HOUR PRODUCTION †									lbs. kgs.		
AIR-COOLED UNIT			WATER-COOLED UNIT			REMOTE AIR-COOLED UNIT					
air temp	water temp		air temp	water temp		air temp	water temp				
°F	50°	70°	90°	°F	50°	70°	90°	°F	50°	70°	90°
°C	10°	21°	32°	°C	10°	21°	32°	°C	10°	21°	32°
70°	650	600	560	70°	650	630	590	-20° to 70°	630	580	550
21°	295	272	254	21°	295	286	268	-29° to 21°	286	263	249
80°	640	580	550	80°	640	620	580	90°	620	570	530
27°	290	263	249	27°	290	281	263	32°	281	259	240
90°	590	540	510	90°	630	610	580	100°	580	530	500
32°	268	245	231	32°	286	277	263	38°	263	240	227

†Production for Dice and Half Dice cubes. Data is published for 60 Hz machines. 50 Hz machines produce approximately 7% less ice.

 **Certified In Accordance With ARI Ice Storage Bins Certification Program, which is based on ARI Standard 820**

Note: Dispenser will accept single 22" or 30" wide ice machine. Ice machine ordered separately. Choose Dice or Half Dice cube size. Refer to ice machine specification sheet for electrical and complete ARI standard ratings.

Dispenser Electric: 115/60/1, (208-230/60/1 and 230/50/1 also available.)

Maximum Circuit Fuse Size: 15.0 amps. HACR-type circuit breakers can be used in place of fuses.

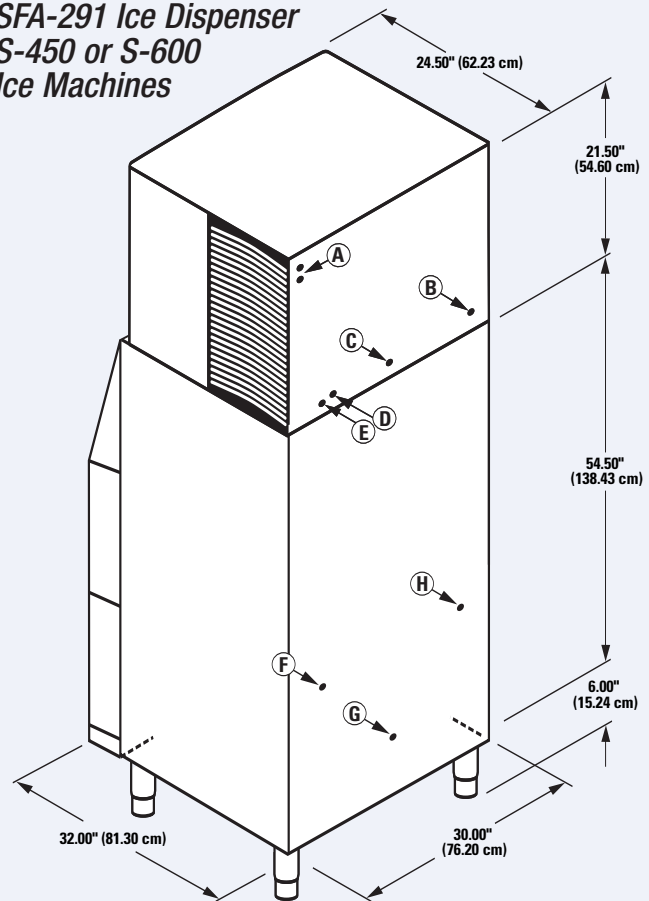
Dispenser Electrical Connection: 6' power cord, rated 125 VAC, 16-3 conductors with standard 3-prong, straight-blade, ground-type plug (NEMA configuration 5-15P).

Motor: 1.6 amps maximum. Permanently lubricated.

Service Access: Dispenser door removes easily to access components.



SFA-291 Ice Dispenser S-450 or S-600 Ice Machines



- A Electrical Entrance (2) Options
- B 3/8" (0.95 cm) F.P.T. Water Condenser Inlet (water-cooled units)
- C 1/2" (1.27 cm) F.P.T. Water Condenser Outlet (water-cooled units)
- D 3/8" (0.95 cm) F.P.T. Ice Making Water Inlet
- E 1/2" (1.27 cm) F.P.T. Ice Making Water Drain
- F Dispenser Electrical Entrance
- G 1/2" (1.27 cm) F.P.T. Melting Tray Pan Drain (water-cooled units)
- H Water Inlet

Installation Note - Dispensers have no minimum clearance, when installing an ice machine/dispenser combination follow the clearance requirements for the ice machine being installed.

AuCS® SI Accessory



Automatic Cleaning System purchased factory installed in the machine or as an option for field retrofit.

2 Cube Sizes Available



Half Dice
3/8" x 1 1/8" x 7/8"
(.95 x 2.86 x 2.22 cm)



Dice
7/8" x 7/8" x 7/8"
(2.22 x 2.22 x 2.22 cm)

©2015 Manitowoc 5105. Continuing product improvement may necessitate change of specifications without notice. 3280



MANITOWOC ICE, INC.
2110 South 26th Street, P.O. Box 1720
Manitowoc, WI 54221-1720, USA
Ph: 920-682-0161 • Fax: 920-683-7589
Visit us online at www.manitowocice.com

