

Bottle Coolers

2 Years Parts and Labor Warranty



TBC-50SD



TBC-65SD



TBC-95SD



TBC-50SB



TBC-65SB



TBC-95SB

FEATURES / BENEFITS

*1 Year Parts and Labor Warranty for SB unit

- **EFFICIENT REFRIGERATION SYSTEM**
Turbo Air's refrigerators are designed with oversized and balanced (CFC Free R-134A) refrigeration systems. These include efficient evaporators and condensers for faster cooling and greater efficiency.
- **STAINLESS STEEL LOUVER**
Positive guided, forced air cooling chills bottles on top first.
- **STAINLESS STEEL CABINET CONSTRUCTION**
This model boasts a stainless steel interior and exterior (except SB models). It guarantees the utmost in cleanliness and long product life. The Bottle Cooler can add a touch of style to the most refined setting.
- **HIGH-DENSITY POLYURETHANE INSULATION**
Entire cabinet structure is formed-in-place using high density, CFC free polyurethane insulation.
- **ADJUSTABLE, HEAVY DUTY, PE(POLYETHYLENE) COATED DIVIDERS**
Heavy duty 10mm thick pure grade PE coated adjustable bin dividers provided for maximum storage use.
- **RUGGED BUILT-ON REMOVABLE BOTTLE CAP OPENER AND CAP CATCHER**
- **SIDE MOUNT COMPRESSOR UNIT**
Through positioning the compressor to the side, the refrigerator can be serviced without being moved. By innovatively creating a front breathing feature, this model can provide high efficiency in narrow spaces.
- **HUGE CAPACITY COOLER CABINET REQUIRES ONLY MINIMUM FLOOR SPACE.**
- **REFRIGERATOR HOLDS 33°F ~ 38°F FOR THE BEST IN BEVERAGE PRESERVATION**

Model	Sliding Door	CU./FT.	Capacity(12oz Cans) w/o Shelves / w/Shelves	#of Dividers	HP	AMPS	Crated Weight	L D H
TBC-50SD	2	15	600ea / 560ea	3	1/3	6.8	243	50 x 26 1/2 x 33 2/7
TBC-50SB	2	15	600ea / 560ea	3	1/3	6.8	265	50 x 26 1/2 x 33 2/7
TBC-65SD	2	21	770ea / 700ea	3	1/3	7.0	309	64 2/5 x 26 1/2 x 33 2/7
TBC-65SB	2	21	770ea / 700ea	3	1/3	7.0	331	64 2/5 x 26 1/2 x 33 2/7
TBC-95SD	3	32	1,280ea / 1,160ea	6	1/2	9.2	441	95 x 26 1/2 x 33 2/7
TBC-95SB	3	32	1,280ea / 1,160ea	6	1/2	9.2	441	95 x 26 1/2 x 33 2/7

TBC-50SD(B)/ TBC-65SD(B)/ TBC-95SD(B) SPECIFICATIONS

MODEL	TBC-50SD/50SB	TBC-65SD/65SB	TBC-95SD/95SB
Exterior Dimension(LxDxH)	50x26 1/2x33 2/7	64 2/5x26 1/2x33 2/7	95x26 1/2x33 2/7
Capacity(12oz.btls./12oz.cans)	18cases / 22.8cases	22cases / 32.5cases	38cases / 55.8cases
Compressor (HP)	1/3	1/3	1/2
Divider	3 EA	3 EA	6 EA
Net Weight	235lbs	309lbs	375lbs
Voltage (i) NEMA-5-15P	(i)115V / 60Hz	(i)115V / 60Hz	(i)115V / 60Hz
Amp	6.8 A	7.0A	9.2A
Cord Length	8.5 ft.	8.5 ft.	8.5 ft.
Plug-In	NEMA 5-15P	NEMA 5-15P	NEMA 5-15P

■ SELF-CONTAINED SYSTEM

■ 4" SWIVEL CASTERS

■ REMOTE CABINETS AND CONDENSING UNITS AVAILABLE FOR ALL MODELS.

*Design and specifications subject to change without notice.

■ **WARRANTY :** 1 Year Labor and Parts Warranty
(SB Model) Additional 4 Years Warranty on Compressor

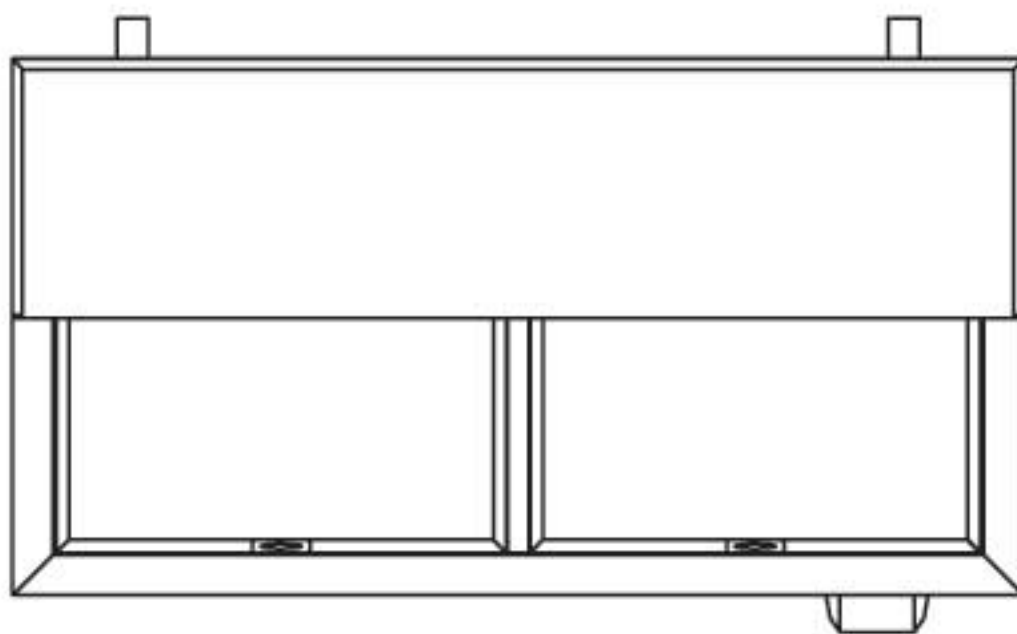
■ **WARRANTY :** 2 Years Labor and Parts Warranty
(SD Model) Additional 3 Years Warranty on Compressor



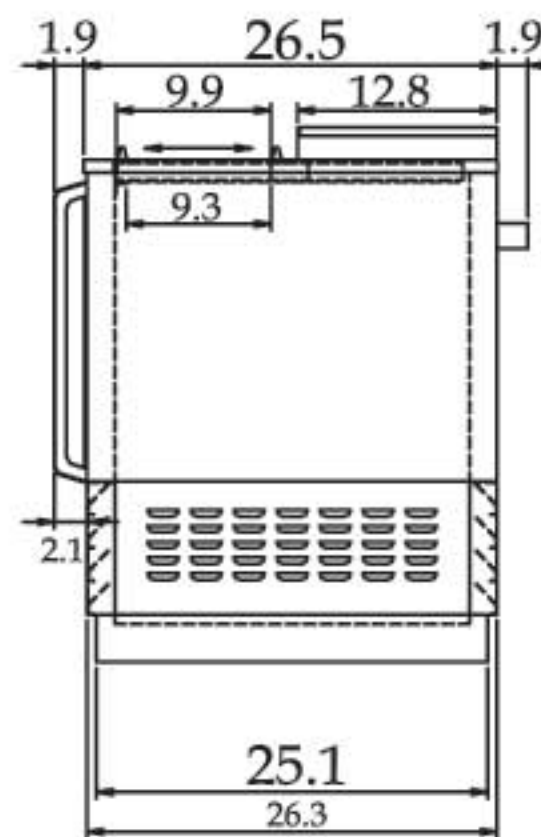
LISTED
COMMERCIAL
REFRIGERATOR
AND/OR FREEZER
438K



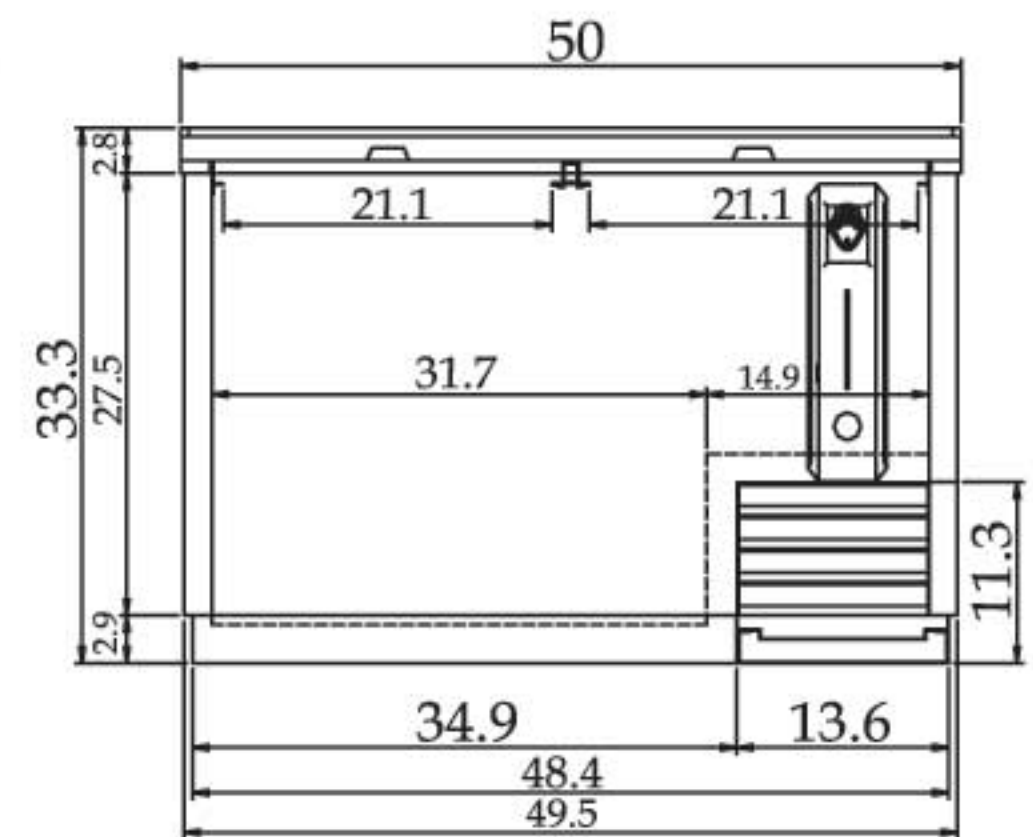
(unit : inch)



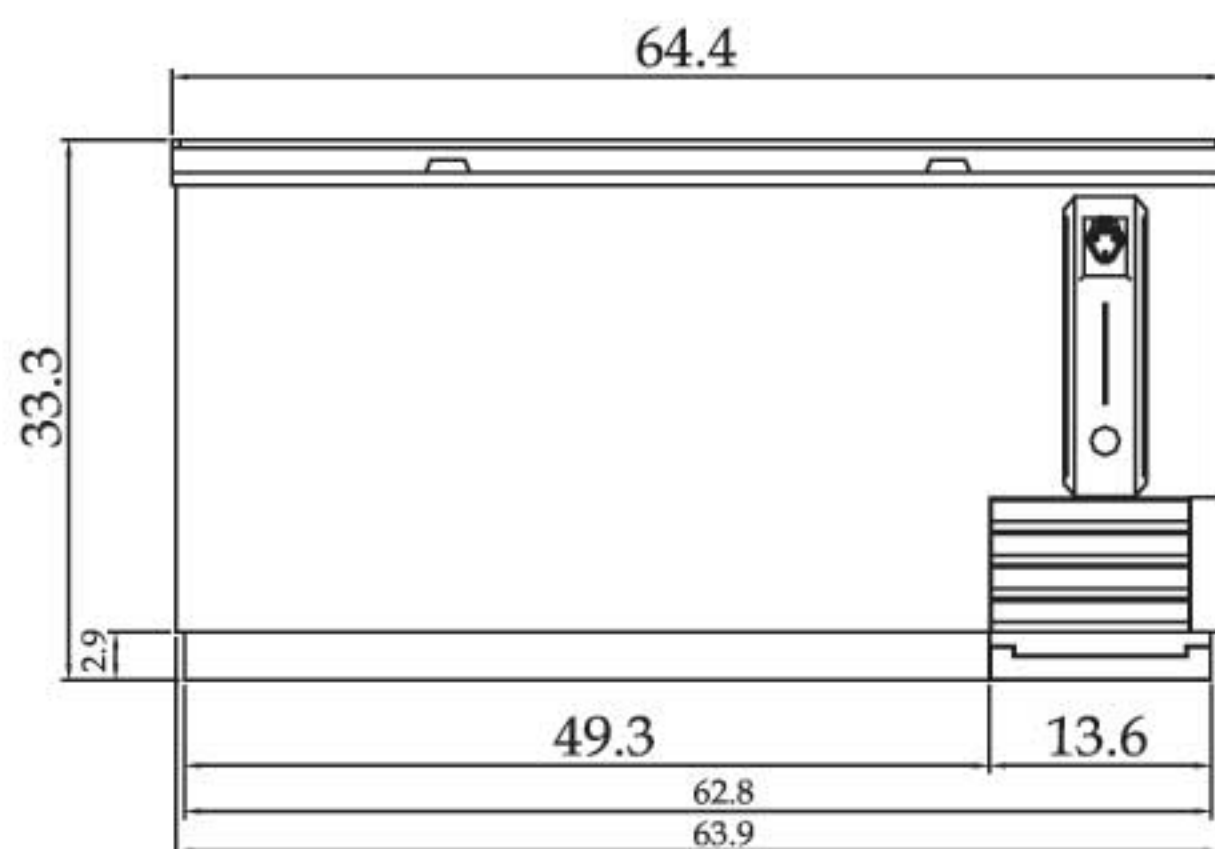
PLAN VIEW



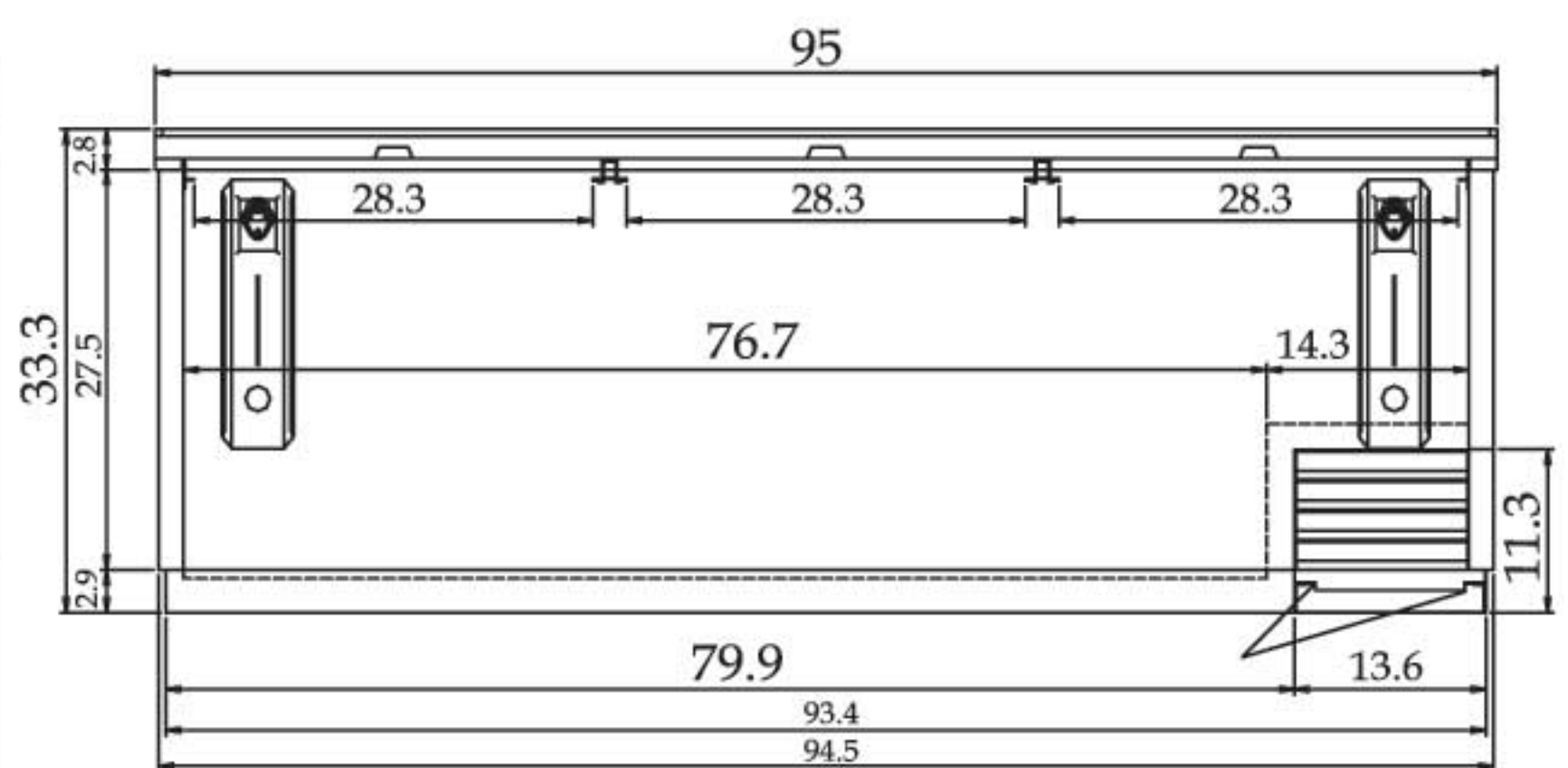
SIDE VIEW



TBC-50SD/50SB FRONT VIEW



TBC-65SD/65SB FRONT VIEW



TBC-95SD/95SB FRONT VIEW