

Project:

Quantity:

Item #:

Model Specified:

TURBO AIR'S GLASS DOOR FREEZER

CABINET INTERIOR/EXTERIOR SPECIFICATIONS



TGF-23F

Glass Door Freezer TGF-23F

Turbo Air's freshly refined design maximizes the display effect. Exterior cabinet sides are covered with EGI+powder paint. Interior cabinet including sides and back lamina sheet with white color. Cabinet interior top and bottom are made of stainless steel.

• High-tech Monitor

The monitor digitally displays the present temperature, the evaporator fan working and the door when opened.

Alarm bell sounds in case of door opened for more than 30 seconds.

You can easily adjust the temperature by pressing the button up or down.

• Hardware, Insulation and Construction

The strongest wheel available allows for movement and installation.

Our products keep a stable temperature throughout the unit, even when stocked.

Inside temperature is controlled automatically.

All refrigeration systems are on slide out rails to make maintenance and service easier.

Cabinet body is insulated with 100% foamed-in-place polyurethane foam insulation.

• Door system

To prevent condensation, a transparent three pane heated glass is used.

The door comes with self closing and stay open function.

• Shelving

The fully adjustable wire shelves are made of heavy gauge metal wire with non-corrosive coating.

• Standard Features

- White color cabinet.
- White color frame of door.
- Three pane heated glass door.
- Fully adjustable wire shelves with non-corrosive coating.
- Two fluorescent lights for interior display and advertising effect.
- Refrigeration system on slide out rail.
- 4" swivel casters.

• Option

- Customized graphics.
- Customized Color. (Available in Quantity)



LISTED
COMMERCIAL
REFRIGERATOR
AND/OR FREEZER
45BK



ISO9001

Project:	Quantity:	Item #:
Model Specified:		

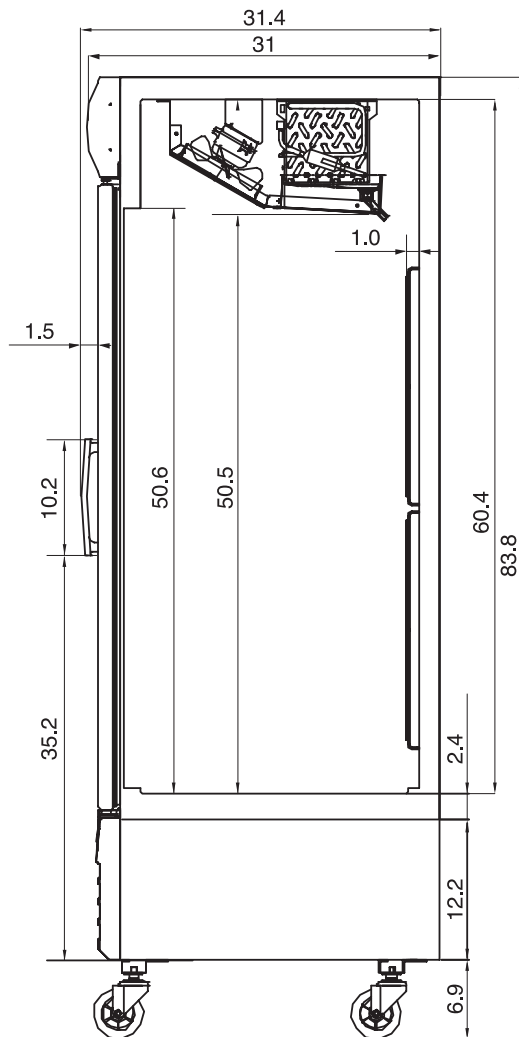
One Door Model

(Unit : inch)

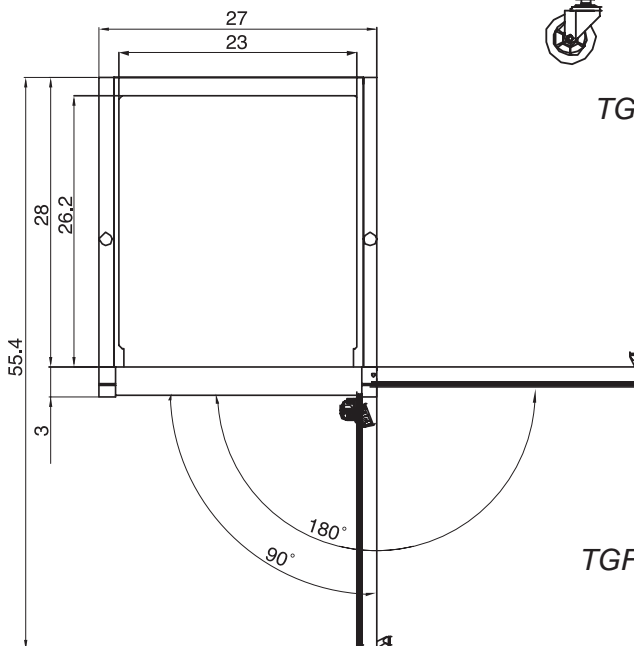
CABINET INTERIOR/EXTERIOR SPECIFICATIONS

MODEL	TGF-23F
Exterior Dimensions(in)	27.0 x 31.0 x 83.8 (WxDxH)
Interior Dimension(in)	23.0 x 26.2 x 60.4 (WxDxH)
Dimension crated(in)	29.3 x 33.7 x 83.8(WxDxH)
Net weight	375.9 lbs
Weight after packing	396.8 lbs
Net capacity	23 cu. ft
Compressor	3/4 HP
AMP	8.2 A
Power Voltage	115V/60Hz
Plug-in installation	NEMA 5-15p
Range of Temperature	5°F~ -15°F
Shelves	4 EA
Shelf size(in)	21.8 x 22.5

**Design and specifications can be changed without prior notice for product improvement.*



TGF-23F SIDE VIEW



TGF-23F PLAN VIEW