

# Glass Door Freezer

## Glass Door Freezer

### Digitally Controlled Uniform Temperature

#### \* High-Tech Monitor

The monitor digitally displays the present temperature, the evaporator fan working and the door when opened.

Alarm bell sounds in case of door opened for more than 30 seconds.

You can easily adjust the temperature by pressing the button up or down.

#### \* Hardware, insulation and Construction

The strongest wheel available allows for movement and installation.

Our products keep a stable temperature throughout the unit, even when stocked.

Inside temperature is controlled automatically.

All refrigeration systems are on slide out rails to make maintenance and service easier.

Cabinet body is insulated with 100% foamed-in-place polyurethane foam insulation.

#### \* Door System

To prevent condensation, a transparent three pane heated glass is used.

The door comes with self closing and stay open function.

#### \* Standard Features

- White color cabinet
- White color frame of door
- Three pane heated glass door
- Fully adjustable wire shelves with non-corrosive coating
- A fluorescent light for interior display and advertising effect
- Refrigeration system on slide out rail.
- 4" swivel casters

TGF-23F



TGF-49F



Model	Swing Door	CU./FT.	#of Shelves	HP	AMPS	Weight	L D H	List Price
TGF-23F	1	23	4	3/4	14.5	375.9	27.0 x 31.0 x 83.8	6,363.00
TGF-49F	2	49	8	1.5	11.5	700	54.4 x 31.0 x 83.8	8,815.00

## CABINET INTERIOR/EXTERIOR SPECIFICATIONS

MODEL	TGF-23F	TGF-49F
Exterior Dimensions(in)	27.0x31.0x83.8(WxDxH)	54.5x31.0x83.8(WxDxH)
Interior Dimension(in)	23.0x26.2x60.4(WxDxH)	50.5x24.8x60.4(WxDxH)
Cubic Feet	23 cu.ft	49 cu.ft
Compressor	3/4 HP	1.5HP
Power	115V 60Hz	115V/220V
Amp	14.5 A	11.5 A
Plug-in installation	NEMA 5-15p	NEMA 5-15p
Shelves	4EA	8EA
Shelf Size(in)	21.8x22.5	21.8x22.5
Net Weight	375.9lbs	700lbs
Weight after Packing	396.8lbs	745 lbs

\*Design and specifications can be changed without prior notice for product improvement.

### \* Shelving

The fully adjust wire shelves are made of heavy gauge metal wire with non-corrosive coating.

### \* Option

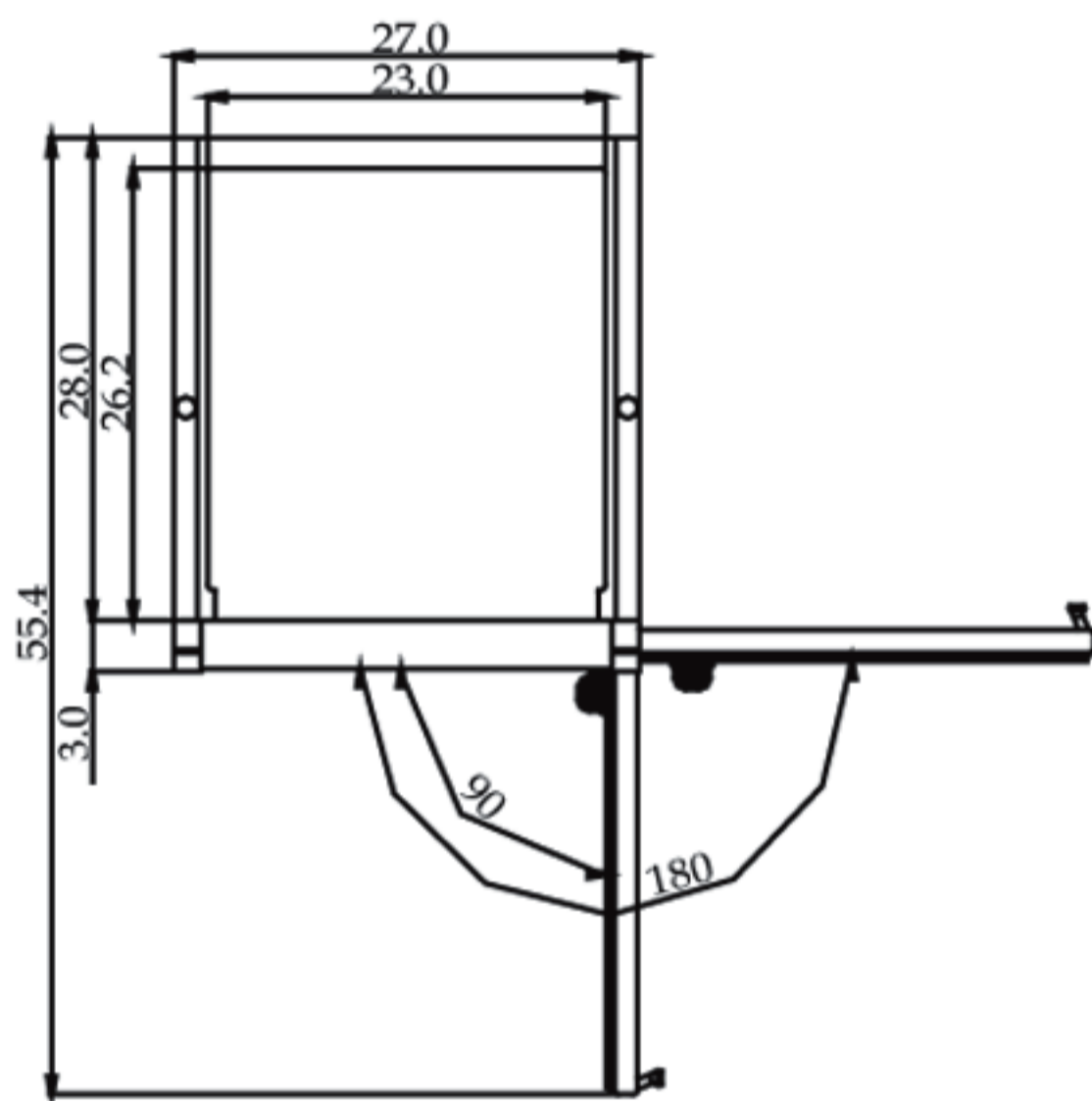
Customized graphics & color available in quantity.

### \* Holds -15°F~5°F

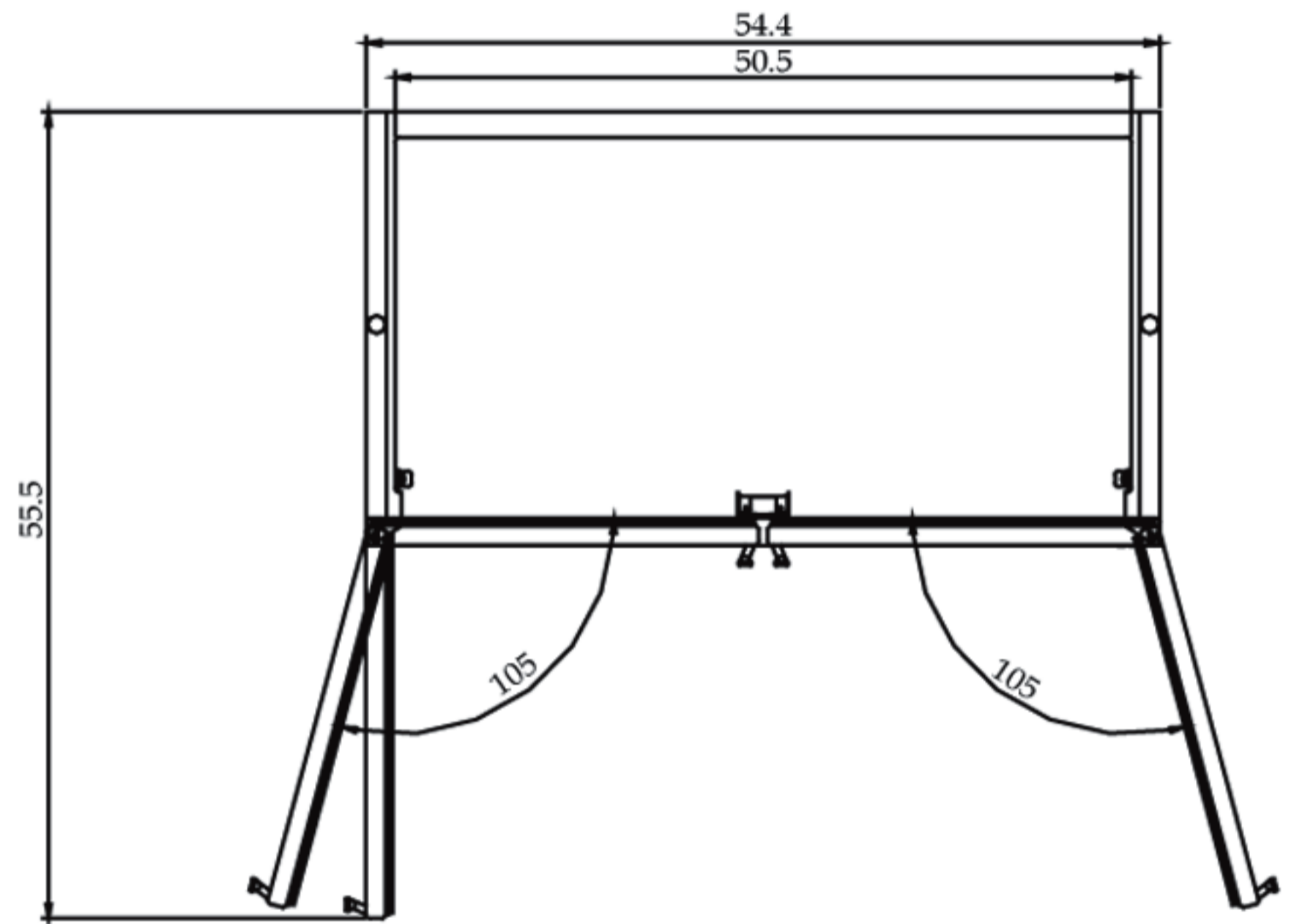
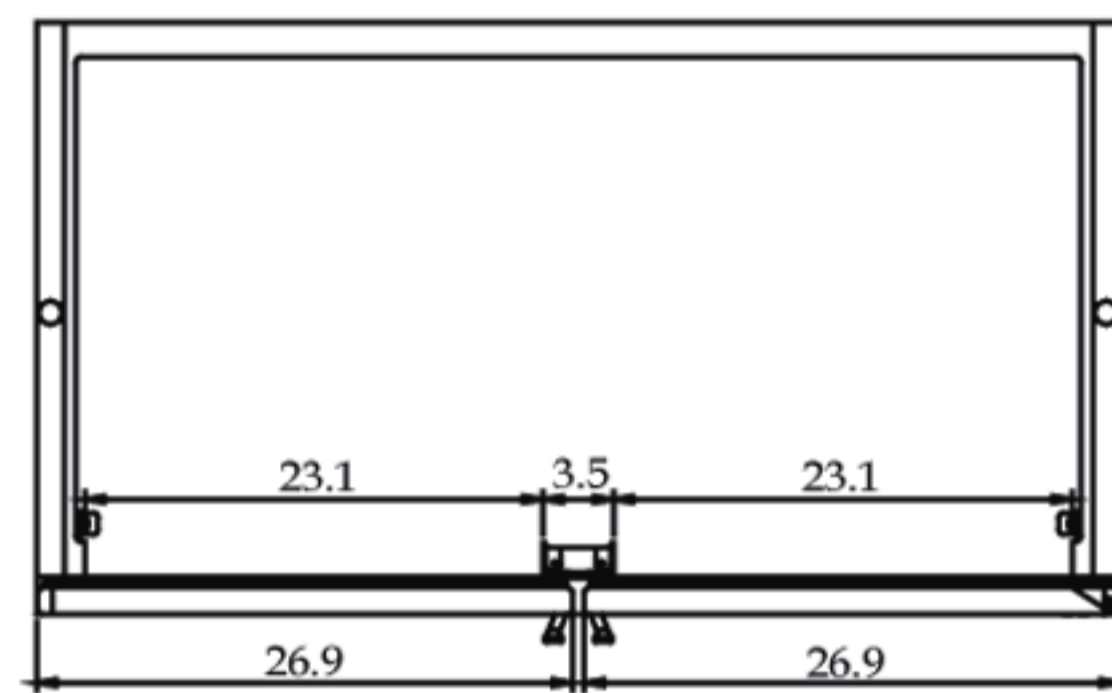
### \* Foamed With Polyurethane, High-density Cell Insulation (CFC Free)

(unit : inch)

**TGF-23F PLAN VIEW**

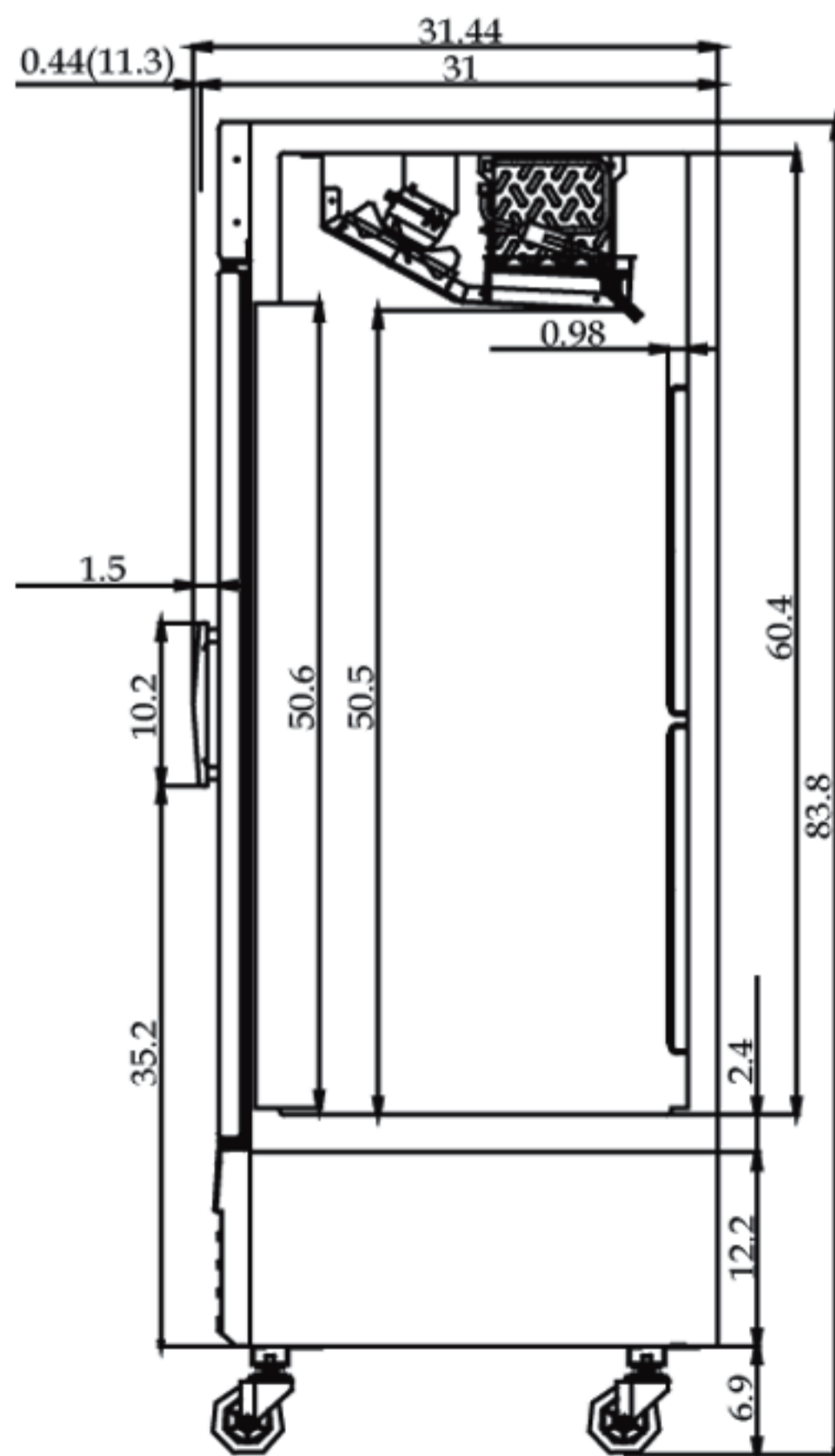


**TGF-49F PLAN VIEW**



**TGF-49F SIDE VIEW**

**TGF-23F SIDE VIEW**



**TGF-49F FRONT VIEW**

