

Project:

Quantity:

Item #:

Model Specified:

TURBO AIR'S GLASS DOOR MERCHANDISER

Two Door Models

CABINET INTERIOR/EXTERIOR SPECIFICATIONS



Refrigerator TGM-35R • TGM-48R

Turbo Air's freshly refined design maximizes the display effect. The exterior of the cabinet is made up of EGI+powdered painting, while the top and back are laminated with white sheet. The interior, including sides and back are also laminated in white, while the bottom of the unit is made of stainless steel.

• Hardware, Insulation and Construction

Our products keep a stable temperature throughout the unit, even under heavy use. Inside temperature is controlled automatically. All refrigeration systems are on slide out rails to make maintenance and service easier. Cabinet body is insulated with 100% foamed-in-place polyurethane foam insulation. Product comes with adjustable legs.

• Door system

A double pane glass with a patented, transparent and thermal insulating film is applied. The double pane glass weighs less than a triple pane glass. This means less door roller wear and less overall door maintenance compared with a triple pane glass. All doors have a self closing and stay open function.

• Shelving

Fully adjustable wire shelves are made of heavy gauge metal wire with non-corrosive coating.

• Standard Features

- White color cabinet.
- Black color frame on door.
- Double pane glass doors with thermal film.
- Fully adjustable wire shelves with non-corrosive coating.
- Two fluorescent lights for interior display and advertising effect.
- Refrigeration unit on slide out rail.
- Adjustable leg for stable installation.

• Option

- Gravity feed merchandising racks.
- Customized graphics.
- Customized Color (Available in Quantity)
- 4" casters



LISTED
COMMERCIAL
REFRIGERATOR
AND/OR FREEZER
43BK



ISO9001



1250 Victoria St. CARSON, CA 90746
U.S.A & Canada Toll Free (800)627-0032 www.turboairinc.com

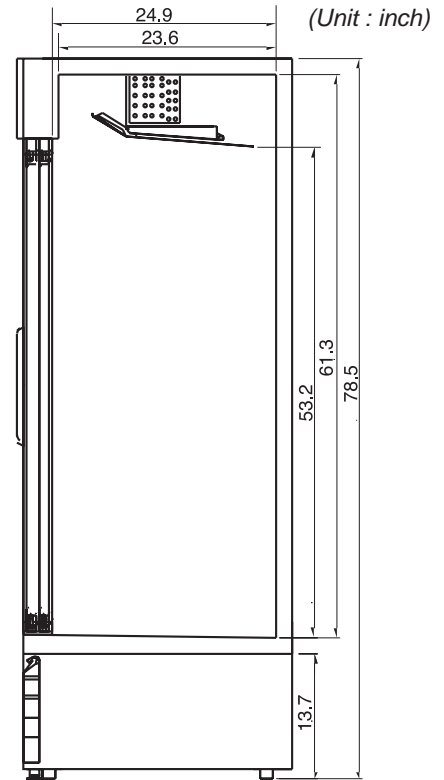
Project:	Quantity:	Item #:
Model Specified:		

Two Door Models

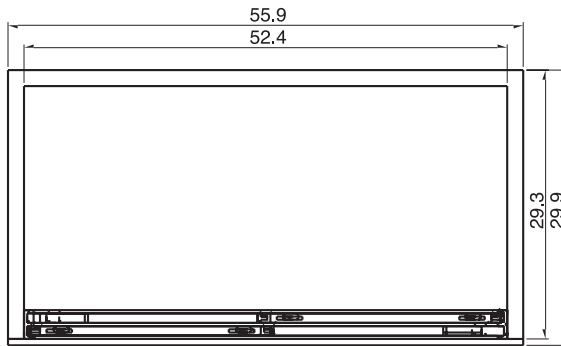
CABINET INTERIOR/EXTERIOR SPECIFICATIONS

MODEL	TGM-48R	TGM-35R
Exterior Dimensions(in)	55.9 x 29.9 x 78.5	41.4 x 29.9 x 78.5(LxDxH)
Compressor	1/2 HP	1/2 HP
Range of Temperature	33°F~45°F	33°F~46.4°F
Shelves	8 EA	8 EA
Power Voltage	115V/60Hz	115V/60Hz
Power Cord Length	8.1 ft	8.1 ft
Plug-in installation	NEMA 5-15p	NEMA 5-15p
Net Weight	463 lbs	410 lbs
Weight after packing	507 lbs	441 lbs
Interior Dimension(in)	52.4 x 24.9 x 61.3	37.9 x 24.9 x 61.3(LxDxH)
AMP	11 A	10.2 A
Shelf size	25.2 x 23.4	18.0 x 23.4

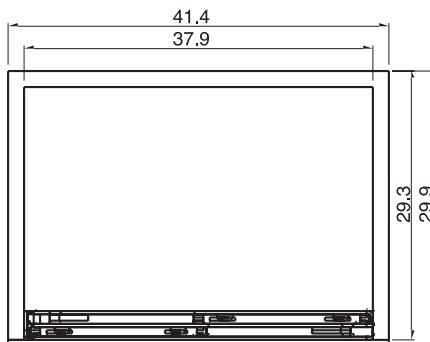
**Design and specifications can be changed without prior notice for product improvement.*



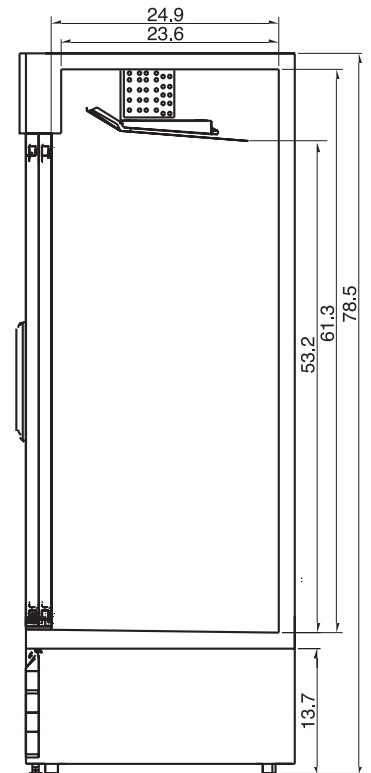
TGM-48R SIDE VIEW



TGM-48R PLAN VIEW



TGM-35R PLAN VIEW



TGM-35R SIDE VIEW