

Project:

Quantity:

Item #:

Model Specified:

# TURBO AIR'S UNIQUE ENERGY SAVING DESIGN!

## Pizza Prep Table

CABINET INTERIOR/EXTERIOR SPECIFICATIONS



TPR-67SD

## Pizza Prep Table TPR-67SD

Exterior cabinet including top, front, doors, and sides are constructed of high quality stainless steel.

- **All Interior / Exterior Stainless Steel Construction**

- **4 Adjustable Stainless Steel wire shelves**

- **New NSF Standard 7**

Complies with and listed under ANSI / NSF-7.

- **Excellent Cooling System**

The powerful forced-air refrigeration system holds the pan and storage cabinet in a constant temperature. Evaporator fans and a newly designed louver allows uniform distribution of cold air over the food pan to keep the food temperature within the New NSF Standard 7.

- **Half bun tray rack for 18" x 26" sheet pans (sold separately)**

- **Stainless Steel Louver**

Stainless steel Louver allows distribution of cold air to reach all corners of the unit. It is also built to withstand against food acids and stains, which makes for easy clean up.

- **Self-contained System**

No plumbing required. Simple installation with 10 feet power cord.

- **Recessed Handles**

- **5" Casters Standard**

- **Extra-deep 19 1/2" full length removable cutting board included**

- **CFC Free**

- **Front Breathing**

- **9 condiment pans included (size:L6.9" i.d D 12.8" i.d H 5.9")**

- **18 Month Labor and Part Warranty for Super Deluxe series**

- **CEC California Energy Commission Certificated**



LISTED  
COMMERCIAL  
REFRIGERATOR  
AND/OR FREEZER  
43BK



ISO9001



1250 Victoria St. CARSON, CA 90746  
Toll Free (800)627-0032 www.turboairinc.com

Project:	Quantity:	Item #:
Model Specified:		

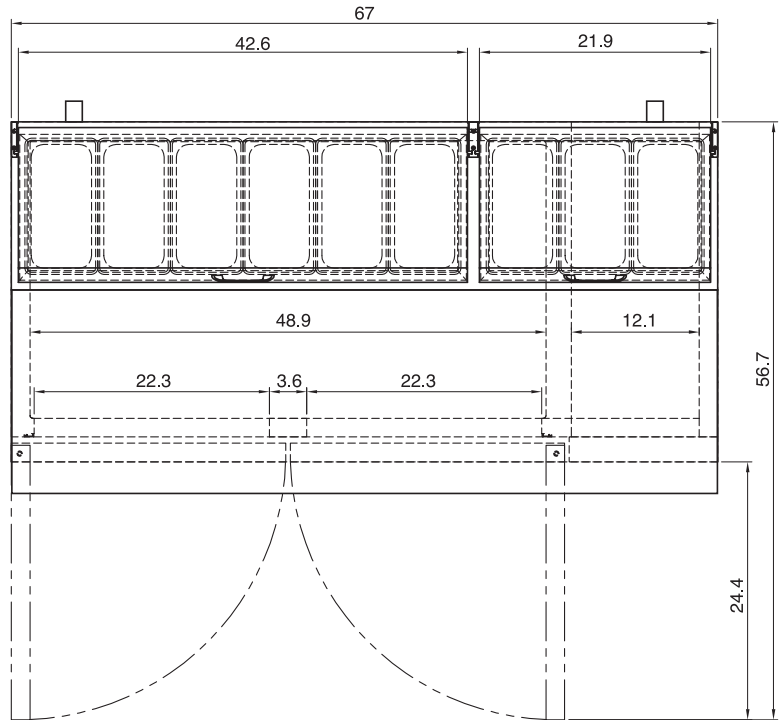
# Pizza Prep Table

(Unit : inch)

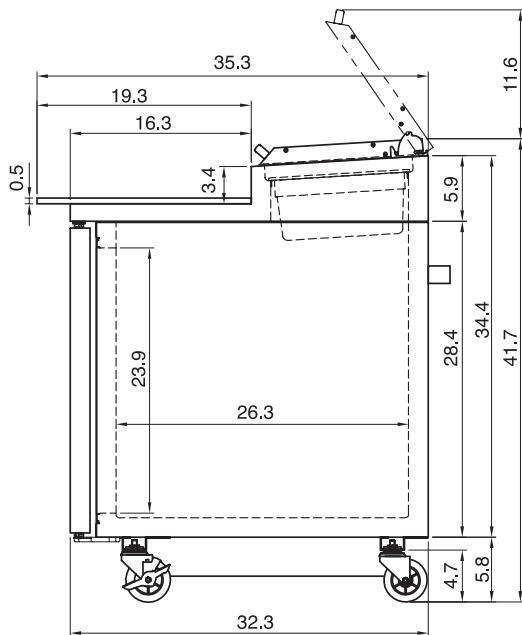
## CABINET INTERIOR/EXTERIOR SPECIFICATIONS

MODEL	TPR-67SD
Exterior Dimensions(LxDxH)	67" x 32.3" x 41.7"
Capa. Cubic FT.	20
Comp.	5/8 HP
Temp.	32°F~42°F
Shelves	4 ea
Weight	395 lbs
Power	115V / 60 Hz
Amp.	10.4 A
Cord Length	10 Feet
Plug-In	Nema 5-15P

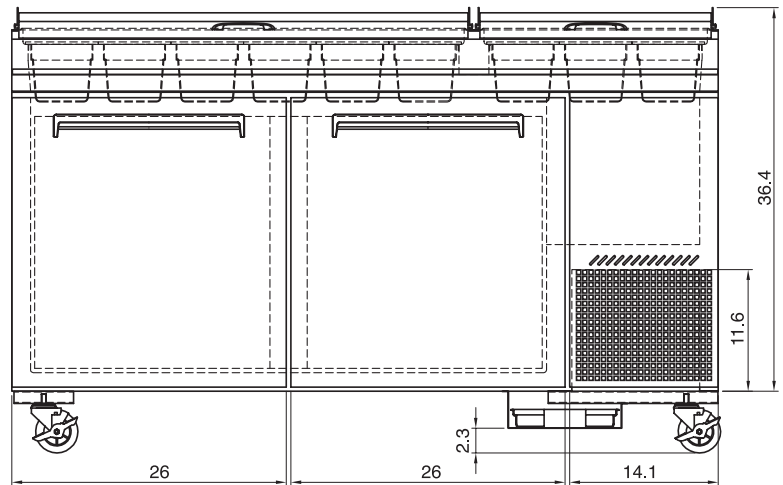
*\*Design and specifications can be changed without prior notice for product improvement.*



PLAN VIEW



SIDE VIEW



FRONT VIEW