

SUPER DELUXE Series

• Undercounter Refrigerator •

Unique Energy Saving Design High Quality Stainless Steel Interior and Exterior

- * **New NSF standard 7**
Complies with and listed under ANSI / NSF-7
- * **Excellent Cooling System**
The powerful forced-air refrigeration system holds the pan and storage cabinet in a constant temperature. Evaporator fans and a newly designed louver allows uniform distribution of cold air over the food pan to keep the food temperature within the New NSF Standard 7.
- * **Clean Interior (TUR-28SD/48SD)**
No joint-gap, harmless ABS sheet and highly dense polyurethane forming perfectly keep the cool air inside and makes it easy to clean.
- * **Stainless Steel Louver**
Stainless steel Louver allows distribution of cold air to reach all corners of the unit. It is also built to withstand against food acids and stains, which makes for easy clean up.
- * **Adjustable Stainless Steel Wire Shelves**
Stable, durable, heavy duty.
- * **5" Casters Standard**
- * **CEC, California Energy Commission Certified**
- * **MEA, City of New York Building Department Approved**



TUR-72SD

TUR-60SD



TUR-48SD

TUR-28SD



Model	Swing Door	CU./FT.	#of Shelves	HP	AMPS	Weight	L D H	List Price
TUR-28SD	1	6.5	2	1/5	4.0	178	27.5 x 30 x 29.7	2,274.39
TUR-48SD	2	12	4	1/4	4.0	244	48.2 x 30 x 29.7	3,448.90
TUR-60SD	2	16	4	1/3	7.0	300	60.2 x 30 x 29.7	3,807.30
TUR-72SD	3	19	6	1/3	7.0	340	72.7 x 30 x 29.7	3,998.42

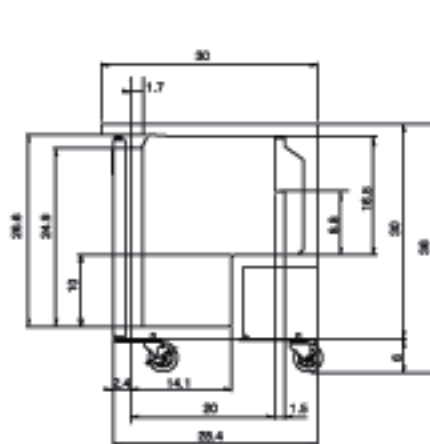
* Height does not include 6" for caster height.

CABINET INTERIOR/EXTERIOR SPECIFICATIONS

MODEL	TUR-28SD	TUR-48SD	TUR-60SD	TUR-72SD
Exterior Dimensions(LxWxD)	27.8"x30"x36"	48.2"x30"x36"	60.2"x30"x36"	72.7"x30"x36"
Cubic Feet	6.5	12	16	19
Comp.	1/5 HP	1/4HP	1/3HP	1/3 HP
Shelves	2 ea	4 ea	4 ea	6 ea
Weight	178lbs	244lbs	300lbs	340lbs
Power	115V/60Hz	115V/60Hz	115V/60Hz	115V/60Hz
Amp	4.0A	5.0A	7.0 A	7.0 A
Plug-In	NEMA 5-15P	NEMA 5-15P	NEMA 5-15P	NEMA 5-15P

*Design and specifications can be changed without prior notice for product improvement.

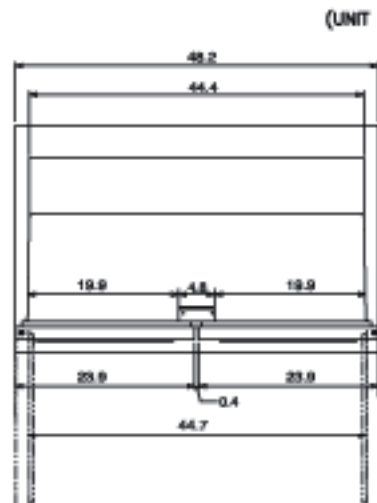
- * **Self-closing door and recessed handle**
Self-closing door.
Standard recessed handles.
- * **Self-contained System**
No plumbing required.
Simple installation with 7 feet power cord.
- * **Holds 33 F~ 38 F**
- * **Foamed with polyurethane, high-density cell insulation (CFC free)**
- * **18 Month Labor and Parts Warranty for Super Deluxe series**



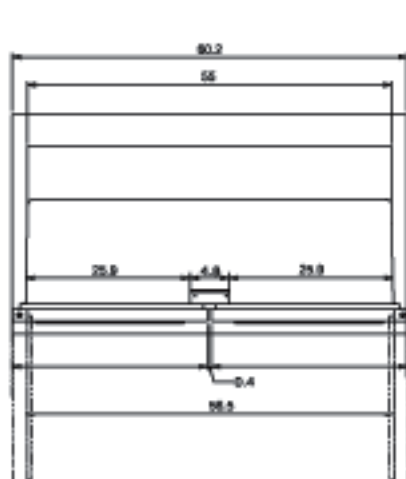
ONE, TWO & THREE DOOR SIDE VIEW



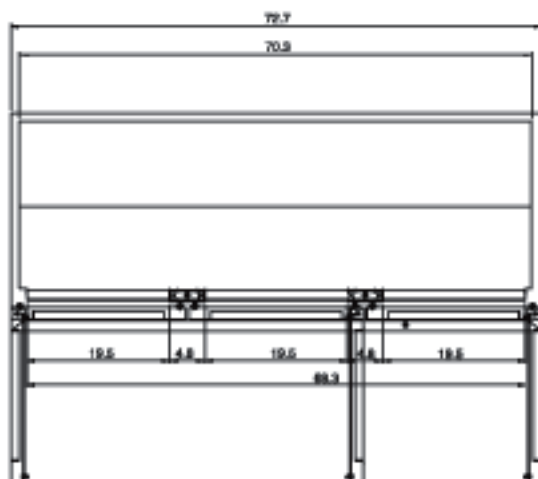
TUR-28SD PLAN VIEW



TUR-48SD PLAN VIEW



TUR-60SD PLAN VIEW



TUR-72SD PLAN VIEW

(UNIT : INCH)